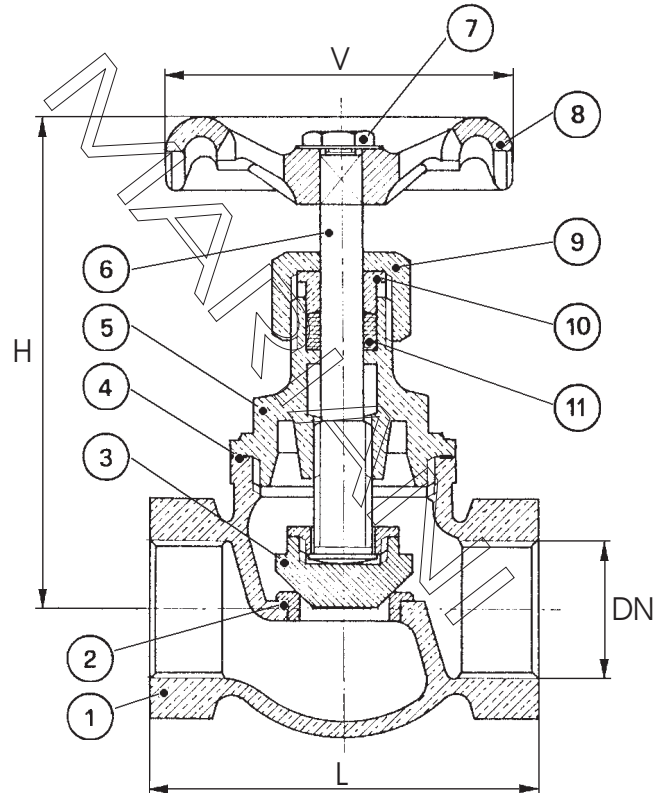


**VALVOLA A GLOBO - VITONE AVVITATO - ASTA SALIENTE -
BRONZO - NI/AL BRONZE - PN 32**

**GLOBE VALVE - SCREWED BONNET - RISING STEM -
BRONZE - NI/AL BRONZE - S.200**

**WORKING
PRESSURES**
W.O.G. NON SHOCK
450 p.s.i.



CONFORM TO: BS 5154/B
MSS SP 80

OPTIONAL TRIM MATERIALS: 10)PTFE DISC
11)ASTM B61 C92200 (BRONZE)
12)MONEL K500
13)ASTM A182 F316

*BRONZE ASTM B62 C83600=BS 1400 LG2=UNI 7013-8°
#AL/BRONZE ASTM B148 C95500=BS1400 AB2=UNI 5275
@BRASS ASTM B283=CuZn40Pb2 (UNI 5705/65)

	DESCRIZIONE	DESCRIPTION	BZ (Bronze)	AL/BZ (Aluminium/Bronze)
1	CORPO	BODY	BRONZE ASTM B62*	AL/BZ ASTM B148 C95500#
2	SEDE INTEGRALE	INTEGRAL SEAT	BRONZE ASTM B62	AL/BZ ASTM B148 C95500
3	OTTURATORE	DISC	BRASS ASTM B16	AL/BZ ASTM B148 C95500
4	GUARNIZIONE	PACKING	FIBER	P.T.F.E.
5	VITONE	BONNET	BRASS ASTM B283@	AL/BZ ASTM B148 C95500
6	ASTA	STEM	BRASS ASTM B16	AL/BZ ASTM B148 C95500
7	DADO	NUT	ZINC PLATED STEEL	ZINC PLATED STEEL
8	VOLANTINO	HANDWHEEL	LAQUERED STEEL	LAQUERED STEEL
9	DADO PREMISTOPPA	GLAND NUT	BRASS ASTM B16	BRASS ASTM B16
10	PREMISTOPPA	THRUST WASHER	BRASS ASTM B16	BRASS ASTM B16
11	BADERNA	STEM PACKING	GRAPHITE TEFLONED	GRAPHITE TEFLONED

THREADING: GAS (ISO 7/1 Rp) FEMALE PARALLEL or NPT (ANSI B1.20.1)

DN	1/4"	3/8"	1/2"	3/4"	1"	1 1/4"	1 1/2"	2"	2 1/2"	3"	4"
L	54	56	62	71	83	101	108	127	140	161	205
H(OPEN)	92	96	113	131	150	185	191	214	260	270	327
V	50	50	55	60	70	80	90	100	110	120	140
Kg	0.350	0.350	0.480	0.730	0.970	1.900	2.250	3.200	4.800	6.400	11.500