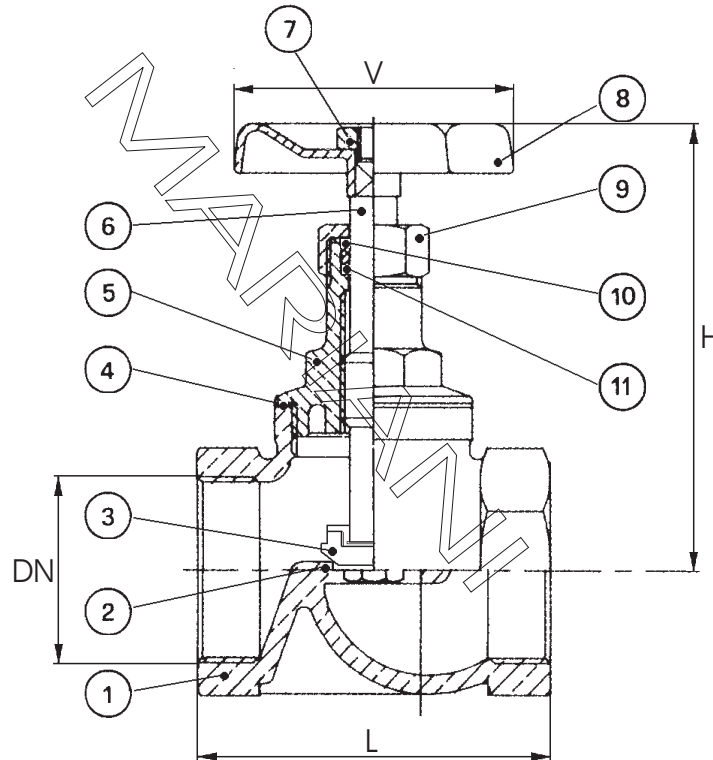


**VALVOLA A FLUSSO AVVIATO - VITONE AVVITATO - ASTA SALIENTE -
BRONZO - NI/AL BRONZE - PN 48**

**CONVEYED FLOW VALVE - SCREWED BONNET - RISING STEM -
BRONZE - NI/AL BRONZE - S.300**



WORKING PRESSURES
W.O.G. NON SHOCK
700 p.s.i.

CONFORM TO: BS 5154/B
BS 6755
MSS SP 80

OPTIONAL TRIM MATERIALS: 10)PTFE DISC
11)ASTM B61 C92200 (BRONZE)
12)MONEL K500
13)ASTM A182 F316

*BRONZE ASTM B62 C83600=BS 1400 LG2=UNI 7013-8°
#AL/BRONZE ASTM B148 C95500=BS1400 AB2=UNI 5275
@BRASS ASTM B283=CuZn40Pb2 (UNI 5705/65)

	DESCRIZIONE	DESCRIPTION	BZ (Bronze)	AL/BZ (Aluminium/Bronze)
1	CORPO	BODY	BRONZE ASTM B62*	AL/BZ ASTM B148 C95500#
2	SEDE INTEGRALE	INTEGRAL SEAT	BRONZE ASTM B62	AL/BZ ASTM B148 C95500
3	OTTURATORE	DISC	BRASS ASTM B16	AL/BZ ASTM B148 C95500
4	GUARNIZIONE	PACKING	FIBER	P.T.F.E.
5	VITONE	BONNET	BRASS ASTM B283@	AL/BZ ASTM B148 C95500
6	ASTA	STEM	BRASS ASTM B16	AL/BZ ASTM B148 C95500
7	DADO	NUT	ZINC PLATED STEEL	ZINC PLATED STEEL
8	VOLANTINO	HANDWHEEL	LAQUERED STEEL	LAQUERED STEEL
9	DADO PREMISTOPPA	GLAND NUT	BRASS ASTM B16	BRASS ASTM B16
10	PREMISTOPPA	THRUST WASHER	BRASS ASTM B16	BRASS ASTM B16
11	BADERNA	STEM PACKING	GRAPHITE TEFLONED	GRAPHITE TEFLONED

THREADING: GAS (ISO 7/1 Rp) FEMALE PARALLEL or NPT (ANSI B1.20.1)

DN	1/4"	3/8"	1/2"	3/4"	1"	1 1/4"	1 1/2"	2"	2 1/2"	3"
L	63	63	68	78	93	108	120	140	170	185
H(OPEN)	88	88	108	122	130	146	163	180	200	215
V	50	50	55	60	70	80	90	100	110	120
Kg	0.380	0.370	0.470	0.660	0.960	1.450	1.850	3.100	4.500	6.500