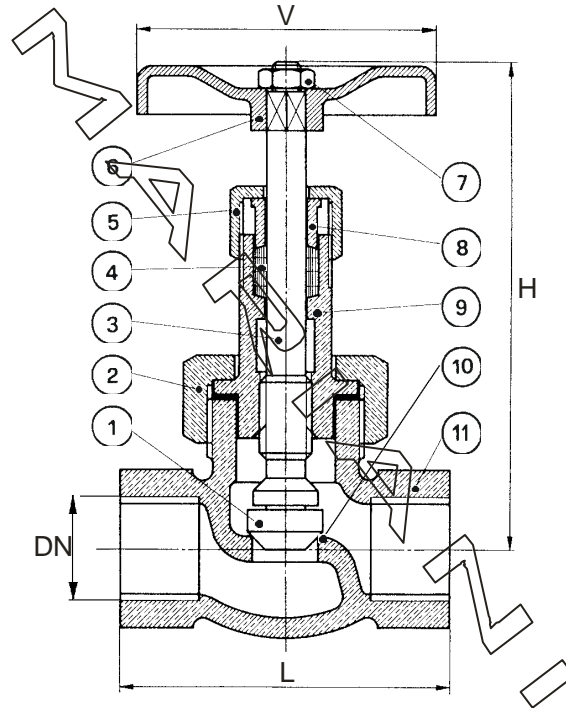


VALVOLA A GLOBO – UNION BONNET - ASTA SALIENTE – BRONZO – S.200

GLOBE VALVE - UNION BONNET - RISING STEM - BRONZE – S.200

WORKING PRESSURES
W.O.G. NON SHOCK
450 p.s.i.



CONFORM TO: BS 5154
MSS SP 80
BACKSEAT

OPTIONAL MATERIAL: PTFE DISC
ASTM B61 C92200
ASTM B148 C95800
MONEL K500

| | DESCRIZIONE | DESCRIPTION | BZ (BRONZE) | BZ/BZ | BZ/INOX |
|----|------------------|---------------|------------------------|------------------------|------------------------|
| 1 | OTTURATORE | DISC | ASTM B283 C37700 | BRONZE ASTM B62 C83600 | ASTM A182 F316 |
| 2 | CALOTTA | UNION-NUT | ASTM B283 C37700 | BRONZE ASTM B62 C83600 | BRONZE ASTM B62 C83600 |
| 3 | ASTA | STEM | ASTM B16 C36000 | ASTM B283 C37700 | ASTM A182 F316 |
| 4 | BADERNA | STEM PACKING | GRAPHITE TEFLONED | GRAPHITE TEFLONED | GRAPHITE TEFLONED |
| 5 | DADO PREMISTOPPA | GLAND NUT | ASTM B16 C36000 | ASTM B16 C36000 | ASTM B16 C36000 |
| 6 | VOLANTINO | HANDWHEEL | CARBON STEEL | CARBON STEEL | CARBON STEEL |
| 7 | DADO | NUT | ZINC PLATED STEEL | ZINC PLATED STEEL | ZINC PLATED STEEL |
| 8 | PREMISTOPPA | THRUST WASHER | ASTM B16 C36000 | BRONZE ASTM B62 C83600 | BRONZE ASTM B62 C83600 |
| 9 | VITONE | BONNET | ASTM B283 C37700 | BRONZE ASTM B62 C83600 | BRONZE ASTM B62 C83600 |
| 10 | SEDE | SEAT | BRONZE ASTM B62 C83600 | BRONZE ASTM B62 C83600 | ASTM A182 F316 |
| 11 | CORPO | BODY | BRONZE ASTM B62 C83600 | BRONZE ASTM B62 C83600 | BRONZE ASTM B62 C83600 |

THREADING: NPT (ANSI B1.20.1) or BSP (ISO 228/1)

| DN | 1/4" | 3/8" | 1/2" | 3/4" | 1" | 1"1/4 | 1"1/2 | 2" | 2"1/2 | 3" | 4" |
|----------|-------|-------|-------|-------|-------|-------|-------|-------|-------|-------|--------|
| L | 53 | 56 | 62 | 69 | 83 | 100 | 109 | 128 | 139 | 161 | 204 |
| H (OPEN) | 93 | 95 | 112 | 130 | 148 | 178 | 191 | 217 | 240 | 255 | 327 |
| V | 50 | 50 | 60 | 70 | 70 | 80 | 90 | 100 | 110 | 150 | 175 |
| Kg | 0.350 | 0.350 | 0.500 | 0.700 | 1.000 | 1.800 | 2.000 | 3.200 | 4.800 | 6.400 | 11.500 |