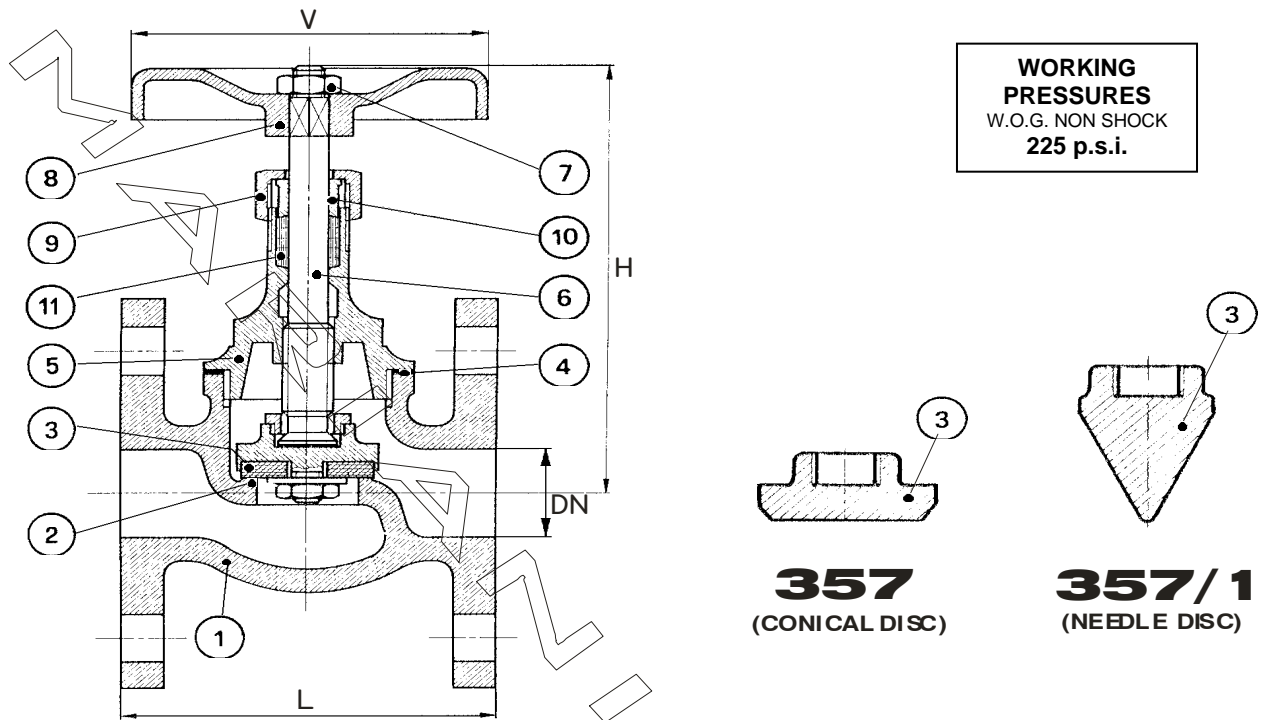
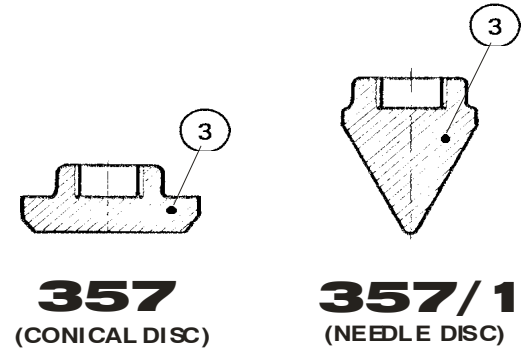


VALVOLA A GLOBO – VITONE AVVITATO – ASTA SALIENTE – BRONZO – PN 16

GLOBE VALVE – SCREWED BONNET - RISING STEM – BRONZE – PN 16



**WORKING PRESSURES**  
W.O.G. NON SHOCK  
225 p.s.i.



CONFORM TO: BS 5154  
MSS SP 80  
ANSI B16.24 / BS 1560 3.3

OPTIONAL FEATURES : 1) SCREW DOWN NO RETURN

	DESCRIZIONE	DESCRIPTION	356 PTFE DISC	357-357/1 CONICAL/NEEDLE DISC
1	CORPO	BODY	BRONZE ASTM B62	BRONZE ASTM B62
2	SEDE INTEGRALE	INTEGRAL SEAT	BRONZE ASTM B62	BRONZE ASTM B62
3	OTTURATORE	DISC	P.T.F.E.	ASTM B16
4	GUARNIZIONE	PACKING	GRAPHITE TEFLONED	GRAPHITE TEFLONED
5	VITONE	BONNET	ASTM B283	ASTM B283
6	ASTA	STEM	ASTM B16	ASTM B16
7	DADO	NUT	ZINC PLATED STEEL	ZINC PLATED STEEL
8	VOLANTINO	HANDWHEEL	ASTM A105 Z.P.	ASTM A105 Z.P.
9	DADO PREMISTOPPA	GLAND NUT	ASTM B16	ASTM B16
10	PREMISTOPPA	THRUST WASHER	BRONZE ASTM B62	BRONZE ASTM B62
11	BADERNA	STEM PACKING	GRAPHITE TEFLONED	GRAPHITE TEFLONED

FLANGED ENDS: ANSI B16.5 (ANSI B16.24 THICKNESS) 150 FF or DIN 2501 PN 6-10-16

SIZE	1/2"	3/4"	1"	1 1/4"	1 1/2"	2"	2 1/2"	3"	4"
DN	15	20	25	32	40	50	65	80	100
L	70	90	99	108	130	146	190	207	220
H(OPEN)	98	108	120	130	150	175	235	253	285
V	55	70	70	80	80	90	125	150	150
Kg	1.40	2.00	2.50	3.60	3.80	5.80	10.50	12.00	16.50