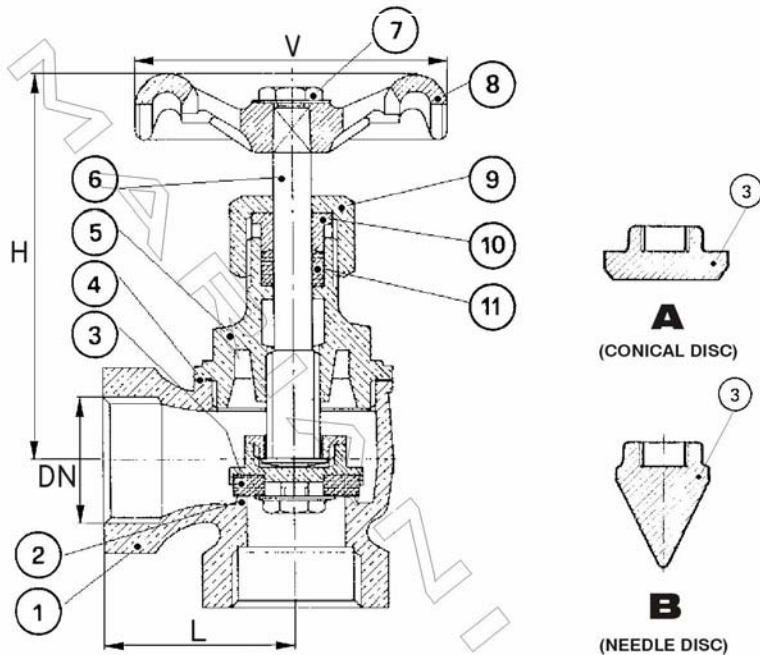


Mariani - fluid control -

362

VALVOLA A SQUADRA –
VITONE AVVITATO – ASTA
SALIENTE – BRONZO – PN 16

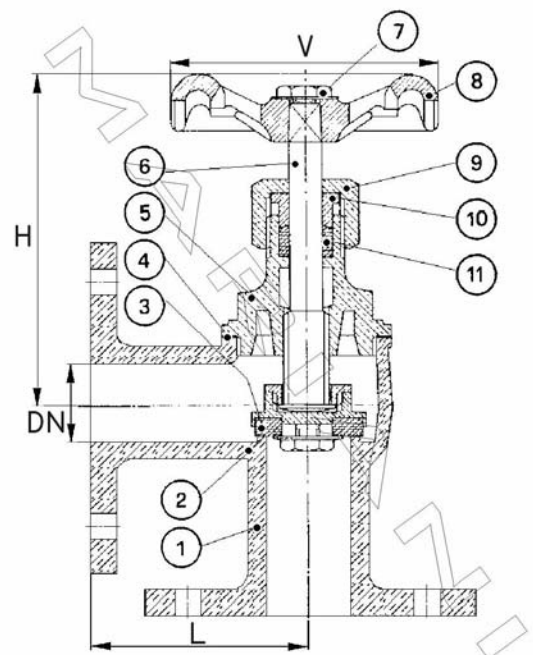
ANGLE VALVE - SCREWED
BONNET – RISING STEM –
BRONZE – PN 16



363

VALVOLA A SQUADRA – VITONE
AVVITATO – ASTA SALIENTE –
FLANGIATA – BRONZO – PN 16

ANGLE VALVE – SCREWED
BONNET – RISING STEM –
FLANGED – BRONZE – PN 16



THREADING: NPT (ANSI B1.20.1)
or BSP (ISO 228/1)

FLANGED ENDS: ANSI B16.5 (ANSI B16.24
THICKNESS) 150 FF or DIN 2501 PN -6-10-16

CONFORM TO: BS 5154 – MSS SP 80
OPTIONAL FEATURES : 1) SCREW DOWN NO RETURN

			362-363			
	DESCRIZIONE	DESCRIPTION	PTFE DISC		A(CONICAL)-B(NEEDLE/DISC)	
1	CORPO	BODY	BRONZE ASTM B62		BRONZE ASTM B62	
2	SEDE INTEGRALE	INTEGRAL SEAT	BRONZE ASTM B62		BRONZE ASTM B62	
3	OTTURATORE	DISC	P.T.F.E.		ASTM B16	
4	GUARNIZIONE	PACKING	FIBER		FIBER	
5	VITONE	BONNET	ASTM B283		ASTM B283	
6	ASTA	STEM	ASTM B16		ASTM B16	
7	DADO	NUT	ZINC PLATED STEEL		ZINC PLATED STEEL	
8	VOLANTINO	HANDWHEEL	CARBON STEEL		CARBON STEEL	
9	DADO PREMISTOPPA	GLAND NUT	ASTM B16		ASTM B16	
10	PREMISTOPPA	THRUST WASHER	ASTM B16		ASTM B16	
11	BADERNA	STEM PACKING	GRAPHITE TEFLONED		GRAPHITE TEFLONED	

SIZE	362										363									
	1/4"	3/8"	1/2"	3/4"	1"	1 1/4"	1 1/2"	2"	2 1/2"	3"	4"	1/2"	3/4"	1"	1 1/4"	1 1/2"	2"	2 1/2"	3"	4"
DN	8	10	15	20	25	32	40	50	65	80	100	15	20	25	32	40	50	65	80	100
L	30	30	30	36	47	57	62	72	80	92	110	60	65	72	85	90	105	110	115	140
H _(OPEN)	78	73	83	100	118	128	160	180	235	260	285	83	100	118	128	160	180	235	260	285
V	55	55	55	70	80	80	80	90	125	150	150	55	70	70	80	80	95	125	150	150
Kg	0.26	0.30	0.31	0.50	0.85	1.20	1.50	2.50	4.70	6	9.80	1.50	2.15	3.10	4.50	5.20	7.50	10.7	12.8	16