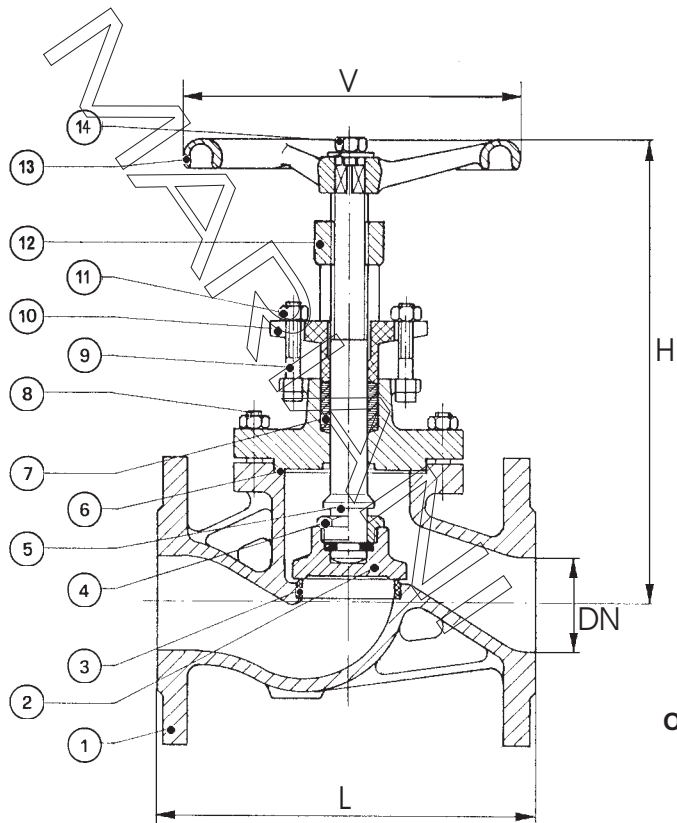


**VALVOLA A FLUSSO AVVIATO - COPERCHIO BULLONATO - ASTA SALIENTE -
VITE ESTERNA - GHISA/ACCIAIO C./INOX - PN 16-25-40**

**GLOBE STOP VALVE - BOLTED BONNET - RISING STEM - OUTSIDE SCREW -
CAST IRON/CARBON/STAINLESS ST. - 100-150-250 LBS**



**WORKING
PRESSURES**
W.O.G. NON SHOCK
500 p.s.i.

- OPTIONAL FEATURES:** 1)GLOBE NP 63/NP 100/NP 160/NP 250
2)REGULATING DISC
3)DISC DOWN NON RETURN
4)POSITON INDICATOR
5)HEATING JACKET
6)MOUNTING PLATE DIN/ISO 5211
7)GEAR MANUAL OPERATOR
8)PNEUMATIC/ELECTRIC ACTUATOR

CONFORM TO: LENGHT DIN 3202 F1

#CAST IRON ASTM A126 B=BS1452 Gr.220=DIN1691 GG25

OPTIONAL MATERIALS: 10)PTFE DISC

	DESCRIZIONE	DESCRIPTION	GH (Cast Iron) PN 16	A (Carbon Steel) PN 25/40	INOX (StainlessSteel) PN 25/40
1	CORPO	BODY	ASTM A126 B#	ASTM A216 WCB	ASTM A351 CF8M
2	OTTURATORE	DISC	ASTM A479 TYPE 420	ASTM A479 TYPE 420	ASTM A182 F316
3	SEDE	SEAT	ASTM A479 TYPE 420	ASTM A479 TYPE 420	ASTM A351 CF8M
4	FERMA ASTA	DISC NUT	ASTM A105 N	ASTM A105 N	ASTM A182 F316
5	ASTA	STEM	ASTM A479 TYPE 420	ASTM A479 TYPE 420	ASTM A182 F316
6	GUARNIZIONE	GASKET	GRAFOIL	GRAFOIL	GRAFOIL
7	BADERNA	STEM PACKING	GRAPHITE TEFLONED	GRAPHITE TEFLONED	GRAPHITE TEFLONED
8	TIRANTI CORPO	BOLT	ASTM A193 B7	ASTM A193 B7	ASTM A193 B8
9	TIRANTI PREMISTOPPA	EYE BOLT	ASTM A193 B7	ASTM A193 B7	ASTM A193 B8
10	PREMISTOPPA	THRUST WASHER	ASTM A105 N	ASTM A105 N	ASTM A182 F316
11	DADO	NUT	ASTM A194 Gr.1	ASTM A194 2H	ASTM A194 Gr.8
12	CAVALLOTTO	YOKE	ASTM A126 B	ASTM A216 WCB	ASTM A351 CF8M
13	VOLANTINO	HANDWHEEL	CARBON STEEL	CARBON STEEL	CARBON STEEL
14	DADO	NUT	ASTM A194 Gr.1	ASTM A194 2H	ASTM A194 Gr.8

FLANGED ENDS: DIN 2501 PN 6-10-16-25-40

SIZE	1/2"	3/4"	1"	1 1/4"	1 1/2"	2"	2 1/2"	3"	4"	5"	6"	8"	10"	12"
DN	15	20	25	32	40	50	65	80	100	125	150	200	250	300
L	130	150	160	180	200	230	290	310	350	400	480	600	730	850
H	190	200	210	220	230	245	310	320	360	370	400	500	610	790
V	100	100	125	125	125	150	175	175	200	220	250	350	450	500
Kg	5	5	5.6	8	10	12	24	28	39	50	77	135	265	358