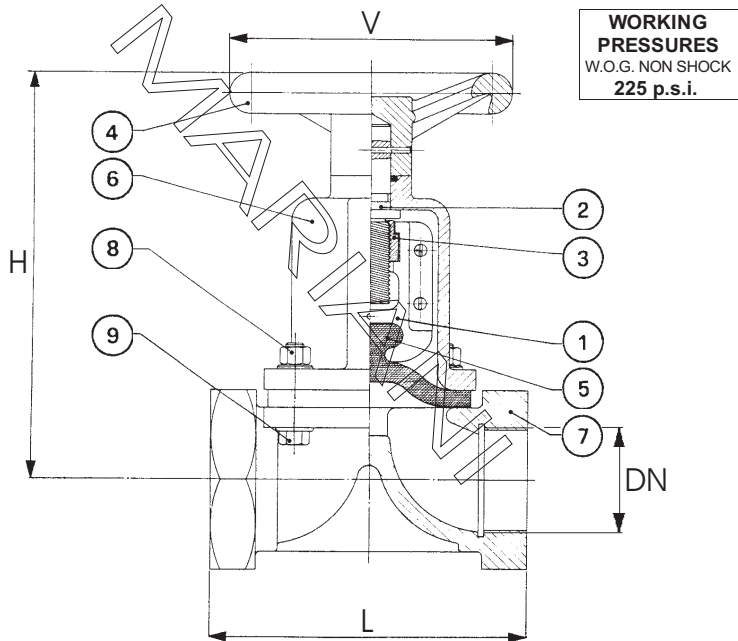


865

**VALVOLA A MEMBRANA -
COPERCHIO BULLONATO -
VITE INTERNA -
BRONZO/GHISA/ACCIAIO C. - PN 16**

**DIAPHRAGM VALVE - BOLTED BONNET
INSIDE SCREW - BRONZE/CAST IRON/
CARBON ST. - 100 LBS**



THREADING: GAS (ISO 7/1 Rp) or NPT (ANSI B1.20.1)

**OPTIONAL FEATURES: 1) LENGTH DIN 3202 F1 - 2) RUBBER LINED CAST IRON (EBANITATE)
3) ASTM A351 CF8M (INOX) - 4) PNEUMATIC ACTUATOR**

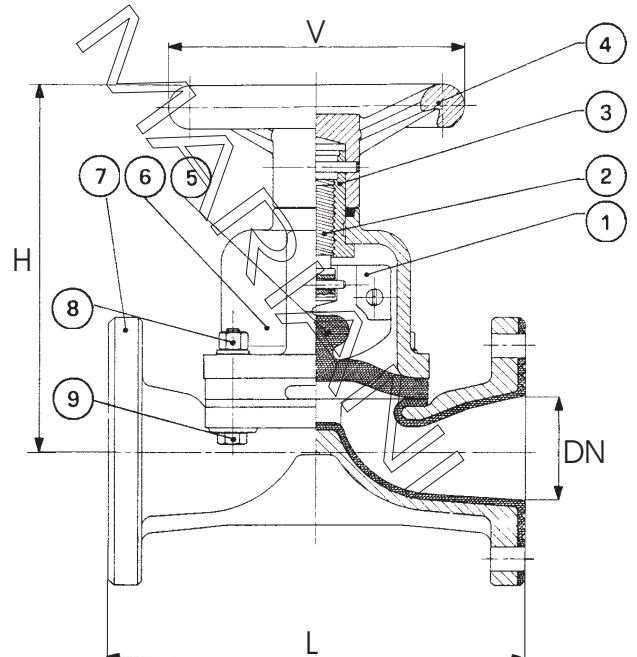
***SYNTETIC ELASTOMERS (NEOPRENE/NATURAL-SILICON RUBBER) - PTFE - VITON**

#BRONZE ASTM B62 C83600=BS 1400 LG2=UNI 7013-8°

866

**VALVOLA A MEMBRANA -
COPERCHIO BULLONATO -
VITE INTERNA - FLANGIATA -
BRONZO/GHISA/ACCIAIO C. - PN 16**

**DIAPHRAGM VALVE - BOLTED BONNET
INSIDE SCREW - FLANGED - BRONZE/
CAST IRON/CARBON ST. - 100 LBS**



**FLANGED ENDS: DIN 2501 PN 10-16
ANSI-ASME 150 FF**

	DESCRIZIONE	DESCRIPTION	BZ (Bronze)	GH (Cast Iron)	A (Carbon Steel)
1	OTTURATORE	DISC	BRONZE ASTM B62#	BRONZE ASTM B62	BRONZE ASTM B62
2	ASTA	STEM	BRASS ASTM B16	INOX ASTM A182 F304	INOX ASTM A182 F304
3	MADREVITE	YOKE SLEEVE	BRONZE ASTM B62	BRONZE ASTM B62	BRONZE ASTM B62
4	VOLANTINO	HANDWHEEL	CARBON STEEL	CARBON STEEL	CARBON STEEL
5	MEMBRANA	DIAPHRAGM	*	*	*
6	COPERCHIO	BONNET	BRONZE ASTM B62	ASTM A126 B	ASTM A216 WCB
7	CORPO	BODY	BRONZE ASTM B62	ASTM A126 B	ASTM A216 WCB
8	DADO	NUT	ASTAM A194 Gr.1	ASTAM A194 Gr.1	ASTAM A194 Gr.1
9	BULLONE	BOLT	ASTM A193 B7	ASTM A193 B8	ASTM A193 B8

		865					866													
SIZE		1/2"	3/4"	1"	1 1/4"	1 1/2"	1/2"	3/4"	1"	1 1/4"	1 1/2"	2"	2 1/2"	3"	4"	5"	6"	8"	10"	12"
DN		15	20	25	32	40	15	20	25	32	40	50	65	80	100	125	150	200	250	300
GH/A	L	50	65	108	121	140	100	128	128	145	162	186	217	255	307	355	407	520	635	750
	H	60	73	125	143	180	135	165	175	205	245	270	325	360	425	525	585	755	853	945
	V	70	95	95	110	125	70	95	95	110	125	155	175	210	255	314	370	470	560	560
BZ	L	70	70	-	-	-	-	120	130	140	180	210	260	280	330	390	450	-	-	-
	H	73	73	-	-	-	-	105	115	135	145	165	215	260	300	340	420	-	-	-
	V	50	50	-	-	-	-	100	100	125	150	150	250	300	350	425	500	-	-	-
Kg		2.4	3.9	4.1	6.7	8.3	2.3	3.8	4	6.6	8.3	12.4	17.6	24	38	56	76	142	226	350