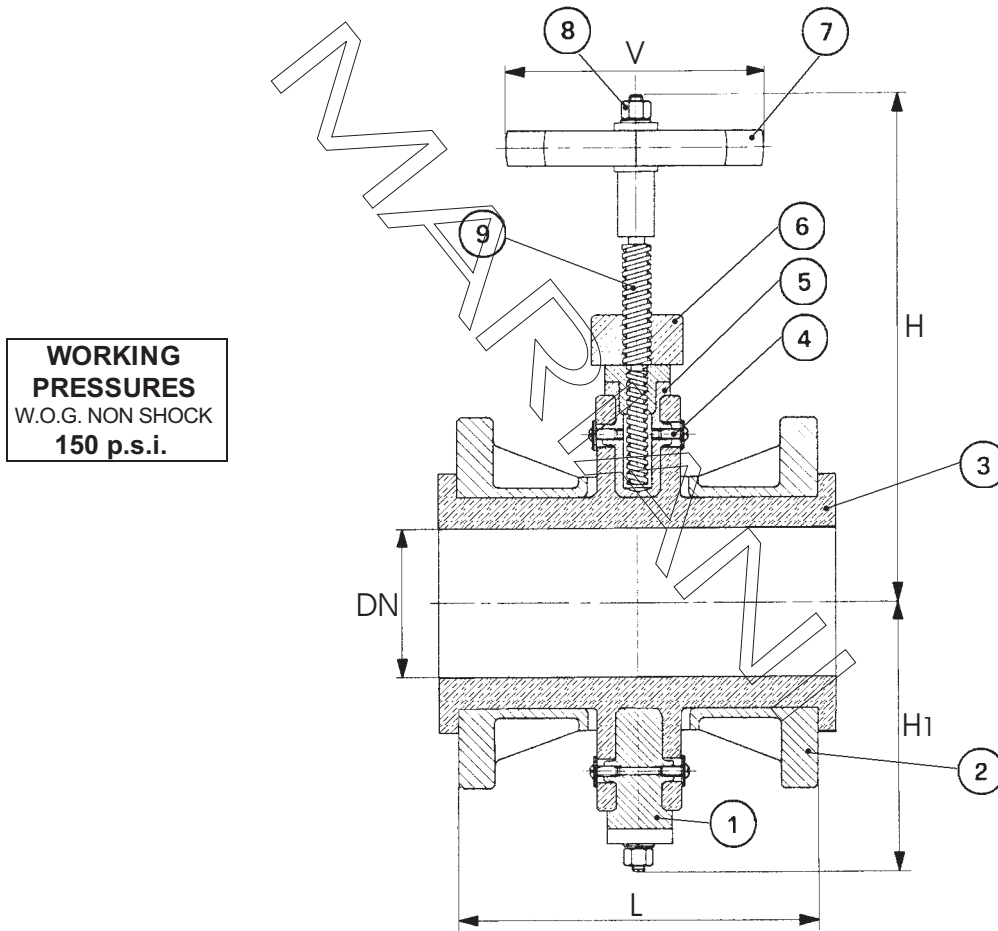


## VALVOLA A PINZA - C/MANICOTTO FLESSIBILE - PASSAGGIO TOTALE - ALLUMINIO - PN 10

### FLEXIBLE SLEEVE VALVE - FULL BORE - ALUMINIUM - 75 LBS



**WORKING PRESSURES**  
W.O.G. NON SHOCK  
**150 p.s.i.**

CONFORM TO: LENGHT DIN 3202 F1

OPTIONAL FEATURES: 1)PNEUMATIC/ELECTRIC ACTUATOR

\*SYNTETIC ELASTOMERS (NEOPRENE/NATURAL-SILICON RUBBER) - VITON

#BRONZE ASTM B62 C83600=BS 1400 LG2=UNI 7013-8°

	DESCRIZIONE	DESCRIPTION	MATERIAL
1	BOCCOLA INFERIORE	LOWER RETURN BUSHING	BRONZE ASTM B62#
2	CORPO	BODY	ALUMINIUM ALLOY
3	MANICOTTO	RUBBER SLEEVE	*
4	VITE	SCREW	ASTM A193 B7
5	BOCCOLA SUPERIORE	UPPER RETURN BUSHING	BRONZE ASTM B62
6	TRAVERSINO	SUPPORT	ALUMINIUM ALLOY
7	VOLANTINO	HANDWHEEL	CARBON STEEL
8	DADO	NUT	ASTM A194 Gr.1
9	ASTA	STEM	ASTM A182 F304

#### FLANGED ENDS: DIN 2501 PN 10-16

SIZE	1/2"	3/4"	1"	1 1/4"	1 1/2"	2"	2 1/2"	3"	4"	5"	6"	8"
DN	15	20	25	32	40	50	65	80	100	125	150	200
L	130	150	160	180	200	230	290	310	350	400	480	600
H(OPEN)	85	85	140	140	170	185	280	370	370	500	575	730
H1	28	28	40	40	50	55	95	105	125	140	160	200
V	60	70	80	80	100	110	140	140	200	220	240	330
Kg	1.300	1.350	2.300	2.700	3.600	5	12	13	20	24	35	50