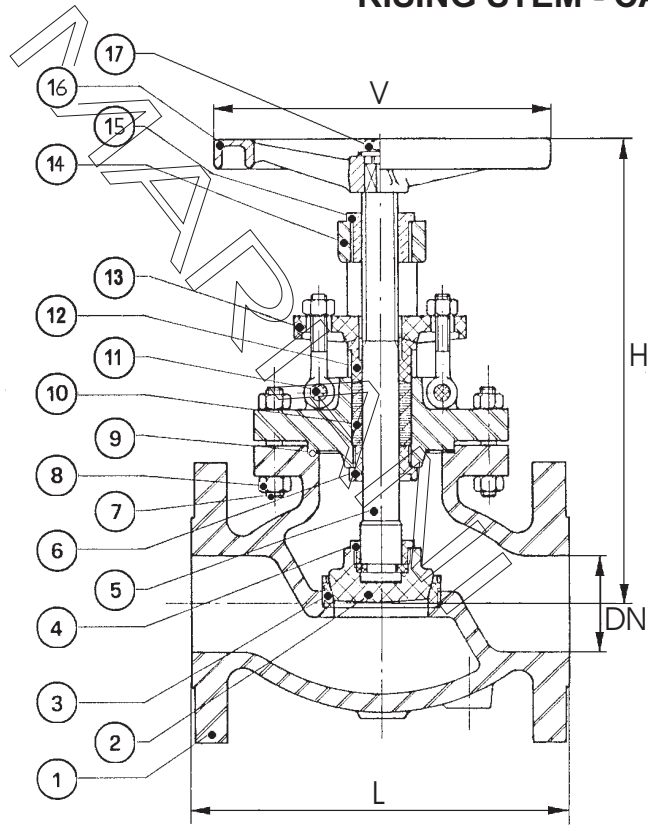


**VALVOLA A GLOBO - COPERCHIO BULLONATO - VITE ESTERNA -
ASTA SALIENTE - ACCIAIO C./INOX - S.600**

**GLOBE VALVE - BOLTED BONNET - OUTSIDE SCREW & YOKE -
RISING STEM - CARBON/STAINLESS ST. - S.600**



**WORKING
PRESSURES**
W.O.G. NON SHOCK
1440 p.s.i.

CONFORM TO: TEST API 598 / MSS SP 61 / BS 6755
ANSI B16.5/ BS 1560 3.1 / ANSI B16.34 / BS 1414
LENGTH ANSI B16.10

OPTIONAL FEATURES: 1)RENEWABLE SEAT
2)LOCKING DEVICE
3)MOUNTING PLATE DIN/ISO 5211
4)PNEUMATIC/ELECTRIC ACTUATOR
5)POSITION INDICATOR

OPTIONAL BODY MATERIAL: 10)ASTM A352 LCB
11)ASTM A217 C5

OPTIONAL TRIM MATERIAL: 12)MONEL K500
13)HALF/FULL STELLITE

	DESCRIZIONE	DESCRIPTION	A (Carbon Steel)	INOX (Stainless Steel)
1	CORPO	BODY	ASTM A216 WCB	ASTM A351 CF8M
2	OTTURATORE	DISC	ASTM A182 F6	ASTM A182 F316
3	SEDE	SEAT	ASTM A182 F6	ASTM A182 F316
4	FERMA ASTA	DISC NUT	ASTM A182 F6	ASTM A182 F6
5	ASTA	STEM	ASTM A182 F6	ASTM A182 F316
6	CONTROTENUTA	BACK SEAT	ASTM A182 F6	ASTM A182 F316
7	TIRANTI CORPO	BOLT	ASTM A193 B7	ASTM A193 B8
8	DADO	NUT	ASTM A194 2H	ASTM A194 Gr.8
9	GUARNIZIONE	GASKET	GRAPHITE TEFLONED	GRAPHITE TEFLONED
10	BADERNA	STEM PACKING	GRAFOIL	GRAFOIL
11	TIRANTI PREMISTOPPA	EYE BOLT	ASTM A193 B7	ASTM A193 B8
12	PREMISTOPPA	THRUST WASHER	ASTM A182 F6	ASTM A182 F316
13	FLANGETTA	FLANGE	ASTM A216 WCB	ASTM A351 CF8M
14	CAVALLOTTO	YOKE	ASTM A216 WCB	ASTM A351 CF8M
15	BOCCOLA	YOKE SLEEVE	ASTM B148 9A	ASTM B148 9A
16	VOLANTINO	HANDWHEEL	CARBON STEEL	CARBON STEEL
17	DADO	NUT	ASTM A194 2H	ASTM A194 Gr.8

FLANGED ENDS: ANSI-ASME B16.5 - 600 RF

SOLDER ENDS: BW (ANSI B16.25)

SIZE	2"	3"	4"	6"	8"	10"	12"
DN	50	80	100	150	200	250	300
L	292	356	432	559	660	787	838
H(OPEN)	425	525	630	785	900	1070	1290
V	250	300	350	500	*	*	*
Kg	31	56	104	206	468	700	1015

*WITH GEAR MANUAL OPERATOR