

235

RUBINETTO A MASCHIO
PASSANTE - VIA DIRITTA -
BRONZO - PN 10

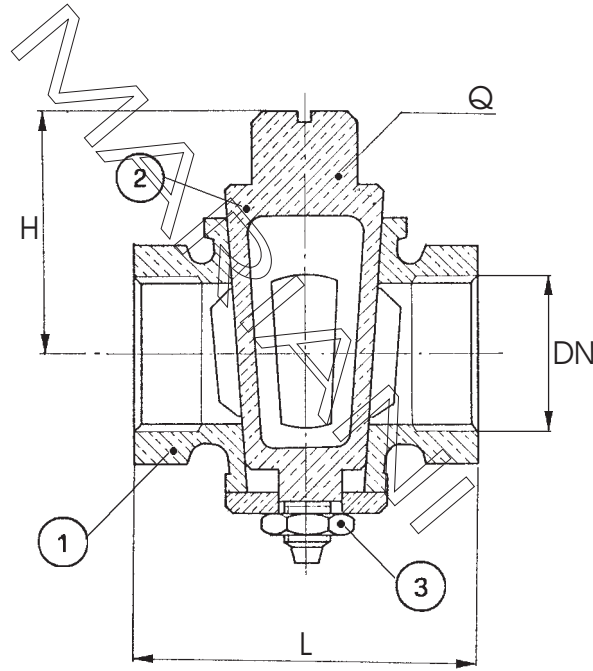
PLUG VALVE SLEEVE CONNECTION -
STRAIGHT WAY - BRONZE -
75 LBS

236

RUBINETTO A MASCHIO
PASSANTE - VIA DIRITTA -
OTTONE - PN 10

PLUG VALVE SLEEVE CONNECTION -
STRAIGHT WAY - BRASS -
75 LBS

**WORKING
PRESSURES**
W.O.G. NON SHOCK
150 p.s.i.



*BRONZE ASTM B62 C83600=BS 1400 LG2=UNI 7013-8°

#BRASS ASTM B283=CuZn40Pb2 (UNI 5705/65)

OPTIONAL FEATURES: 1)CAST IRON LEVER

	DESCRIZIONE	DESCRIPTION	235 BRONZE	236 BRASS
1	CORPO	BODY	BRONZE ASTM B62 $\frac{1}{2}$	BRASS ASTM B283#
2	MASCHIO	PLUG	BRASS ASTM B283 $\geq 2"$ BRONZE ASTM B62 $\geq 2 1/2"$	BRASS ASTM B16
3	DADO	NUT	BRASS ASTM B16	BRASS ASTM B16

THREADING: GAS (ISO 7/1 Rp) or NPT (ANSI B1.20.1)

	DN	3/8"	1/2"	3/4"	1"	1 1/4"	1 1/2"	2"	2 1/2"	3"	4"
235	L	44	48	60	72	80	89	103	120	133	176
	H	31	33	42	49	56	64	76	92	104	130
	Q	10	12	14	16	18	20	24	31	36	40
	Kg	0.160	0.220	0.380	0.530	0.850	1.150	2.150	3.200	4.500	8.600
236	L	42	48	56	69	78	88	104	-	-	-
	H	32	35	42	50	54	68	76	-	-	-
	Q	10	12	16	16	19	21	25	-	-	-
	Kg	0.130	0.170	0.310	0.470	0.780	1.200	1.800	-	-	-