

240

RUBINETTO A MASCHIO
PASSANTE - VIA DIRITTA -
M/F - BRONZO - PN 10

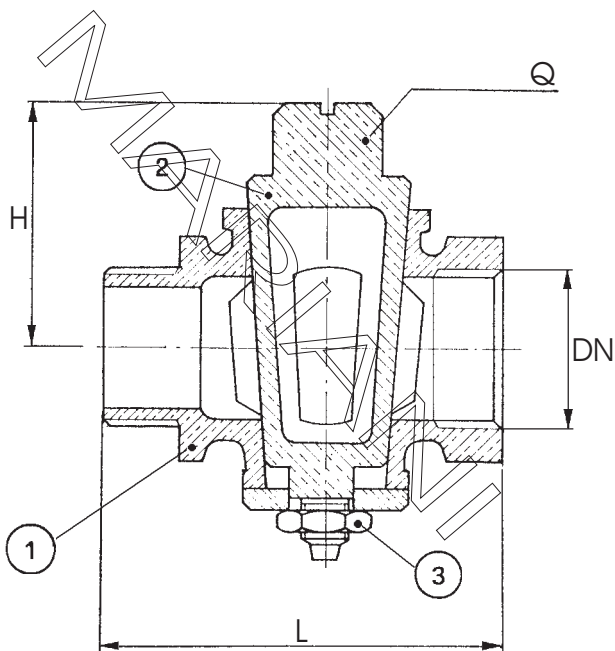
PLUG VALVE SLEEVE CONNECTION -
STRAIGHT WAY - M/F - BRONZE -
75 LBS

241

RUBINETTO A MASCHIO
PASSANTE - VIA DIRITTA -
M/F - OTTONE - PN 10

PLUG VALVE SLEEVE CONNECTION -
STRAIGHT WAY - M/F - BRASS -
75 LBS

**WORKING
PRESSURES**
W.O.G. NON SHOCK
150 p.s.i.



*BRONZE ASTM B62 C83600=BS 1400 LG2=UNI 7013-8°

#BRASS ASTM B283=CuZn40Pb2 (UNI 5705/65)

OPTIONAL FEATURES: 1)CAST IRON LEVER

	DESCRIZIONE	DESCRIPTION	240 BRONZE	241 BRASS
1	CORPO	BODY	BRONZE ASTM B62 _z	BRASS ASTM B283#
2	MASCHIO	PLUG	BRASS ASTM B283 $\geq 2"$ BRONZE ASTM B62 $\geq 2 1/2"$	BRASS ASTM B16
3	DADO	NUT	BRASS ASTM B16	BRASS ASTM B16

THREADING: GAS (ISO 7/1 Rp) or NPT (ANSI B1.20.1)

	DN	3/8"	1/2"	3/4"	1"	1 1/4"	1 1/2"	2"	2 1/2"
240	L	48	55	68	80	94	98	122	137
	H	31	33	42	49	56	64	76	92
	Q	10	12	14	16	18	20	24	31
	Kg	0.170	0.210	0.380	0.570	1	1.220	2.200	3.400
241	L	45	53	64	76	90	100	115	-
	H	31	35	43	52	56	68	76	-
	Q	10	12	16	16	18	21	25	-
	Kg	0.130	0.180	0.310	0.485	0.790	1.280	2	-