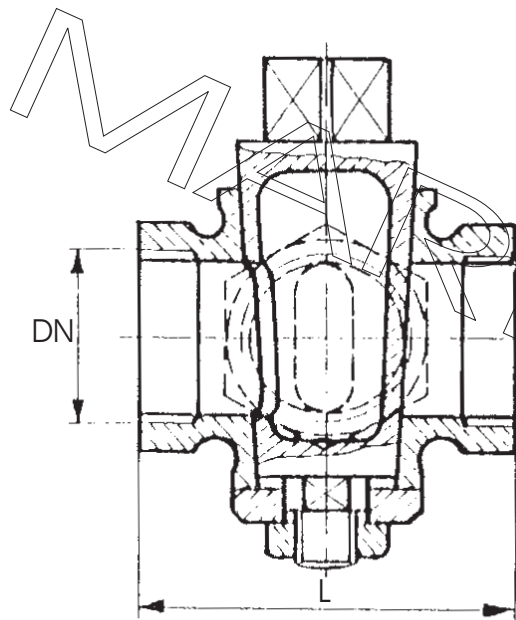


# 245 T-L

**RUBINETTO A MASCHIO  
PASSANTE - 3 VIE -  
BRONZO - PN 10**

**PLUG VALVE SLEEVE CONNECTION -  
3 WAYS - BRONZE - 100 LBS**



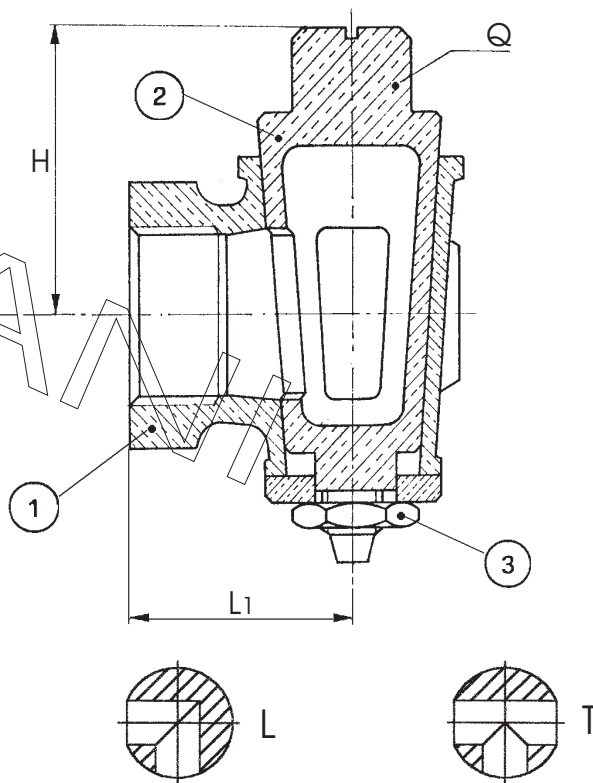
**WORKING  
PRESSURES**  
W.O.G. NON SHOCK  
**225 p.s.i.**

\*BRONZE ASTM B62 C83600=BS 1400 LG2=UNI 7013-8°  
#BRASS ASTM B283=CuZn40Pb2 (UNI 5705/65)

# 246 T-L

**RUBINETTO A MASCHIO  
PASSANTE - 3 VIE -  
OTTONE - PN 10**

**PLUG VALVE SLEEVE CONNECTION -  
3 WAYS - BRASS - 100 LBS**



OPTIONAL FEATURES: 1)CAST IRON LEVER

		245	246
		BRONZE	BRASS
1	CORPO	BODY	BRONZE ASTM B62*
2	MASCHIO	PLUG	BRASS ASTM B283#
3	DADO	NUT	BRASS ASTM B16

**THREADING: GAS (ISO 7/1 Rp) or NPT (ANSI B1.20.1)**

	DN	3/8"	1/2"	3/4"	1"	1 1/4"	1 1/2"	2"
245	L	45	50	61	70	81	87	105
	L1	22	23	30	37	42	44	51
	H	25	34	42	50	58	62	66
	Q	12	12	14	16	18	20	24
	Kg	0.180	0.220	0.480	0.680	1	1.270	2.200
246	L	42	47	59	68	77	91	100
	L1	21	27	28	42	45	48	48
	H	32	39	45	50	54	68	77
	Q	10	12	16	16	18	21	25
	Kg	0.150	0.210	0.340	0.535	0.820	1.320	1.850