

260

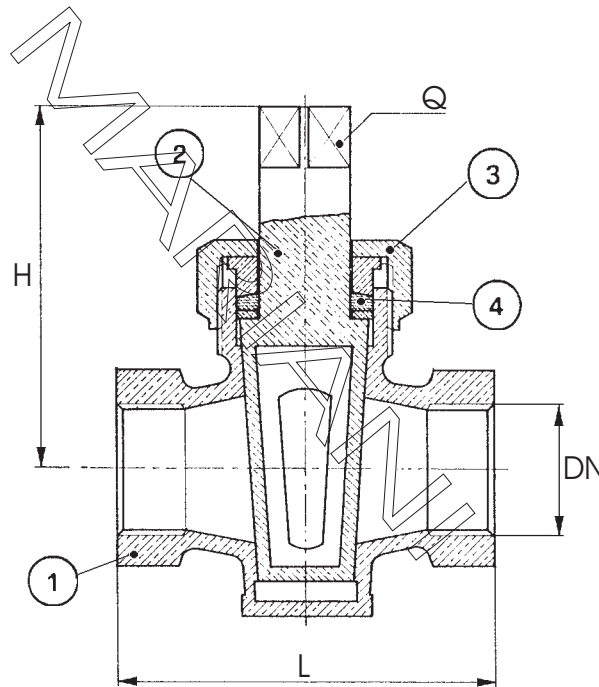
RUBINETTO A MASCHIO
PREMISTOPPA - VIA DIRITTA -
BRONZO - PN 16

PLUG VALVE SLEEVE CONNECTION
WITH GLAND - STRAIGHT WAY -
BRONZE - 100 LBS

261

RUBINETTO A MASCHIO
PREMISTOPPA - VIA DIRITTA -
OTTONE - PN 16

PLUG VALVE SLEEVE CONNECTION
WITH GLAND - STRAIGHT WAY -
BRASS - 100 LBS



WORKING PRESSURES
W.O.G. NON SHOCK
225 p.s.i.

*BRONZE ASTM B62 C83600=BS 1400 LG2=UNI 7013-8°
#BRASS ASTM B283=CuZn40Pb2 (UNI 5705/65)

OPTIONAL FEATURES: 1)CAST IRON LEVER

	DESCRIZIONE	DESCRIPTION	260 BRONZE	261 BRASS
1	CORPO	BODY	BRONZE ASTM B62*	BRASS ASTM B283#
2	MASCHIO	PLUG	BRASS ASTM B16 _ 2 1/2" BRONZE ASTM B62 _ 3"	BRASS ASTM B283
3	CALOTTA	GLAND	BRASS ASTM B16 _ 2 1/2" BRONZE ASTM B62 _ 3"	BRASS ASTM B283
4	BADERNA	STEM PACKING	GRAPHITE TEFLONED	GRAPHITE TEFLONED

THREADING: GAS (ISO 7/1 Rp) or NPT (ANSI B1.20.1)

	DN	3/8"	1/2"	3/4"	1"	1 1/4"	1 1/2"	2"	2 1/2"	3"
260	L	53	62	73	84	97	110	127	142	156
	H	58	67	72	81	95	114	124	132	140
	Q	11	12	15	16	18	20	24	26	34
	Kg	0.280	0.400	0.600	0.850	1.300	2.100	2.950	4.500	6.500
261	L	57	67	78	86	95	115	132	-	-
	H	53	63	74	85	95	108	118	-	-
	Q	10	12	15	18	19	21	24	-	-
	Kg	0.245	0.370	0.645	0.810	1.330	1.860	3.200	-	-