

# 265 T-L

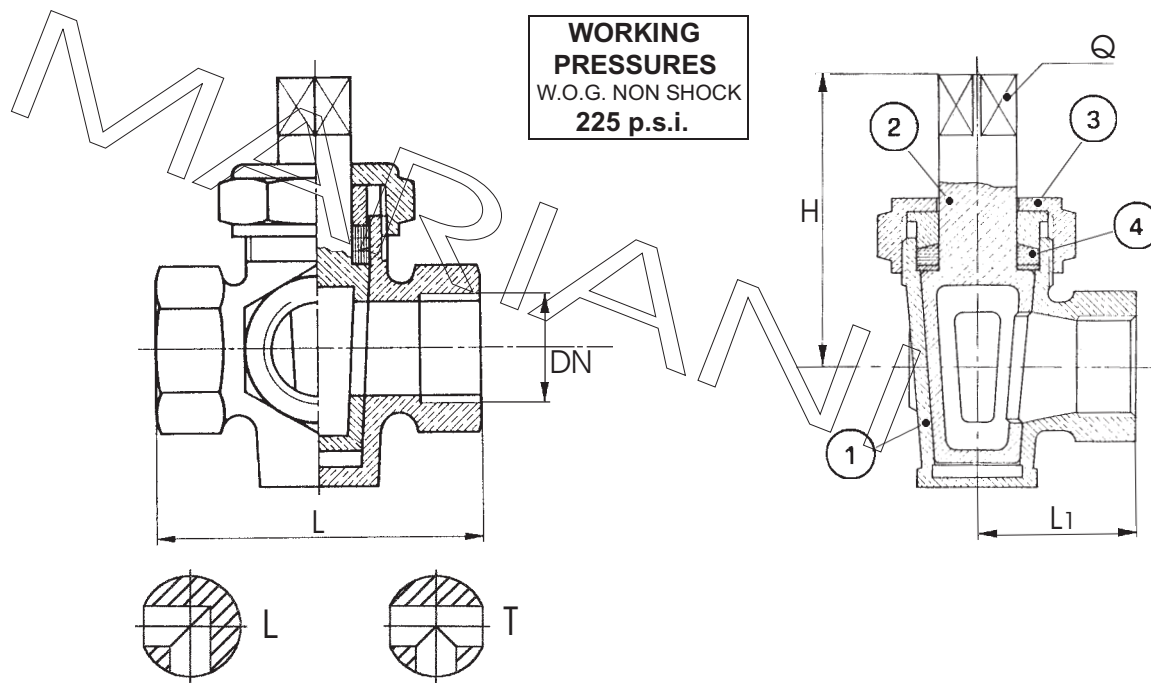
RUBINETTO A MASCHIO  
PREMISTOPPA - 3 VIE -  
BRONZO - PN 16

PLUG VALVE SLEEVE CONNECTION  
WITH GLAND - 3 WAYS - BRONZE -  
100 LBS

# 266 T-L

RUBINETTO A MASCHIO  
PREMISTOPPA - 3 VIE -  
OTTONE - PN 16

PLUG VALVE SLEEVE CONNECTION  
WITH GLAND - 3 WAYS - BRASS  
100 LBS



\*BRONZE ASTM B62 C83600=BS 1400 LG2=UNI 7013-8°  
#BRASS ASTM B283=CuZn40Pb2 (UNI 5705/65)

OPTIONAL FEATURES: 1)CAST IRON LEVER

	DESCRIZIONE	DESCRIPTION	265 BRONZE	266 BRASS
1	CORPO	BODY	BRONZE ASTM B62*	BRASS ASTM B283#
2	MASCHIO	PLUG	BRASS ASTM B16 $\varnothing$ 1/2" BRONZE ASTM B62 $\varnothing$ 3"	BRASS ASTM B283
3	CALOTTA	GLAND	BRASS ASTM B16 $\varnothing$ 1/2" BRONZE ASTM B62 $\varnothing$ 3"	BRASS ASTM B283
4	BADERNA	STEM PACKING	GRAPHITE TEFLONED	GRAPHITE TEFLONED

THREADING: GAS (ISO 7/1 Rp) or NPT (ANSI B1.20.1)

	DN	3/8"	1/2"	3/4"	1"	1 1/4"	1 1/2"	2"	2 1/2"	3"
265	L	52	63	74	84	98	110	127	142	156
	L1	25	32	34	37	45	55	61	72	77
	H	59	68	72	83	93	113	125	130	140
	Q	10	12	14	16	18	20	24	26	34
	Kg	0.340	0.480	0.680	1	1.550	2.300	3.250	5	6.800
266	L	57	65	78	86	95	115	135	-	-
	L1	20	23	37	36	45	47	60	-	-
	H	45	53	74	85	95	108	130	-	-
	Q	10	12	15	18	19	21	25	-	-
	Kg	0.260	0.380	0.690	0.960	1.450	2.100	3.350	-	-