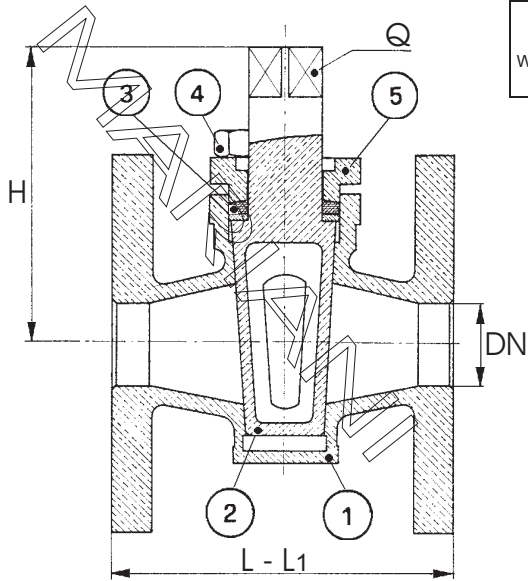


270

RUBINETTO A MASCHIO -
C/PREMISTOPPA BULLONATO -
VIA DIRITTA - BRONZO - PN 16

PLUG VALVE-BOLTED GLAND -
STRAIGHT WAY -
BRONZE - 100 LBS

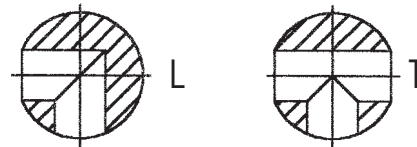
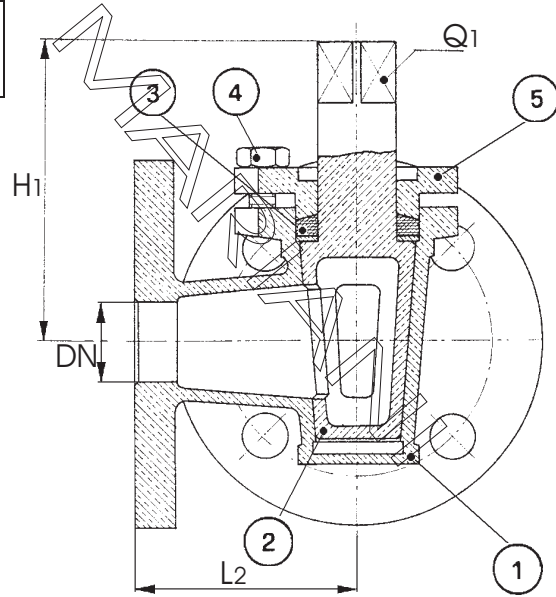


WORKING
PRESSURES
W.O.G. NON SHOCK
225 p.s.i.

275 T-L

RUBINETTO A MASCHIO -
C/PREMISTOPPA BULLONATO -
3 VIE - BRONZO - PN 16

PLUG VALVE-BOLTED GLAND -
3 WAYS - BRONZE -
100 LBS



OPTIONAL FEATURES: 1)CAST IRON LEVER
2)BOTTOM SCREW

*BRONZE ASTM B62 C83600=BS 1400 LG2=UNI 7013-8°

	DESCRIZIONE	DESCRIPTION	MATERIAL
1	CORPO	BODY	BRONZE ASTM B62*
2	MASCHIO	PLUG	BRONZE ASTM B62
3	BADERNA	STEM PACKING	GRAPHITE TEFLONED
5	PREMISTOPPA	THRUST WASHER	BRONZE ASTM B62
4	VITE PREMISTOPPA	BOLT	ASTM A193 B7

FLANGED ENDS: ANSI B16.24 - 150 FF / DIN 2501 PN 6-10-16

	SIZE	3/4"	1"	1 1/4"	1 1/2"	2"	2 1/2"	3"	4"	5"	6"
270	DN	20	25	32	40	50	65	80	100	125	150
	L	87	100	110	132	158	230	260	320	350	400
	H	83	95	106	110	135	180	190	230	300	345
	Q	14	16	18	20	26	34	41	52	52	62
	Kg	2.100	2.900	4.500	5.500	8.500	25	30	39	73	95
275	L1	-	-	180	185	203	240	260	315	350	400
	L2	-	-	90	110	110	120	125	155	175	200
	H1	-	-	130	145	165	180	190	255	280	345
	Q1	-	-	24	25	30	34	41	52	52	62
	Kg	-	-	12.500	13.600	17.600	31	35	44	78	112