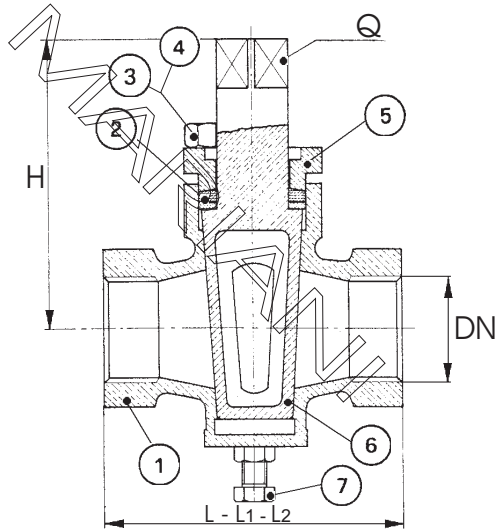


915

**RUBINETTO A MASCHIO
C/PREMISTOPPA BULLONATO -
VIA DIRITTA - GHISA/ACCIAIO C./
INOX - PN 40**

**PLUG VALVE BOLTED GLAND -
STRAIGHT WAY - CAST IRON/
CARBON/STAINLESS ST. - 250 LBS**

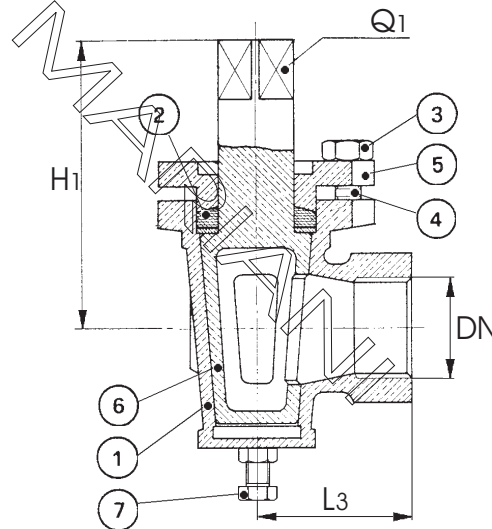


**WORKING
PRESSURES**
W.O.G. NON SHOCK
500 p.s.i.

920 T-L

**RUBINETTO A MASCHIO
C/PREMISTOPPA BULLONATO -
3 VIE - GHISA/ACCIAIO C./INOX -
PN 40**

**PLUG VALVE BOLTED GLAND -
3 WAYS - CAST IRON/CARBON/
STAINLESS ST. - 250 LBS**



OPTIONAL FEATURES: 1)CAST IRON LEVER

OPTIONAL MATERIALS: BODY/TRIM

- 10)ASTM A 351 CF 3 M(AISI 316L)
- 11)ASTM A 494 Gr. CW (HASTELLOY C)
- 12)ASTM A 494 Gr. M 35 (MONEL)
- 13)ASTM A 351 Gr. CN 7 M (ALLOY 20)

#CAST IRON ASTM A126 B=UNI 5007-69 (GG25)

	DESCRIZIONE	DESCRIPTION	GH (Cast Iron)	GH/BZ (C.I./Bronze)	A (Carbon Steel)	INOX (StainlessSteel)
1	CORPO	BODY	ASTM A126 B#	ASTM A126 B	ASTM A216 WCB	ASTM A351 CF8M
2	BADERNA	STEM PACKING	GRAPHITE TEFLON.	GRAPHITE TEFLON.	GRAPHITE TEFLON.	GRAPHITE TEFLON.
3	DADO	NUT	ASTM A194 2H	ASTM A194 2H	ASTM A194 2H	ASTM A194 GR.8
4	PRIGIONIERO	BOLTING	ASTM A193 B7	ASTM A193 B7	ASTM A193 B7	ASTM A193 B8
5	PREMISTOPPA	THRUST WASHER	ASTM A126 B	ASTM A126 B	ASTM A216 WCB	ASTM A351 CF8M
6	MASCHIO	PLUG	ASTM A126 B	BRASS ASTM B283	ASTM A351 CF8M	ASTM A351 CF8M
7	SPINGIMASCHIO	BOTTOM SCREW	ASTM A193 B7	ASTM A193 B7	ASTM A193 B7	ASTM A193 B8

THREADING: GAS (ISO 7/1 Rp) or NPT (ANSI B1.20.1)

	DN	1/2"	3/4"	1"	1 1/4"	1 1/2"	2"	2 1/2"	3"	4"
915 GH	L	82	92	105	120	135	160	230	250	290
	H	90	98	105	120	130	145	180	190	230
	Q	15	17	19	21	24	27	32	36	52
	Kg	1	1.500	2	2.700	3.500	6	11	15	25
915 A/INOX	L1	80	92	115	130	155	180	220	230	290
	H1	90	95	120	130	150	155	200	210	245
	Q1	16	18	19	24	26	30	34	40	52
	Kg	1.100	1.500	2.400	3.200	4.300	8.200	12.400	17	28
920	L2	80	100	115	130	155	180	220	230	290
	L3	40	50	60	70	80	90	110	115	145
	Q1	16	18	19	24	26	30	34	40	52
	Kg	1.300	2.200	2.900	3.900	5	9.500	14.300	19.600	32.500