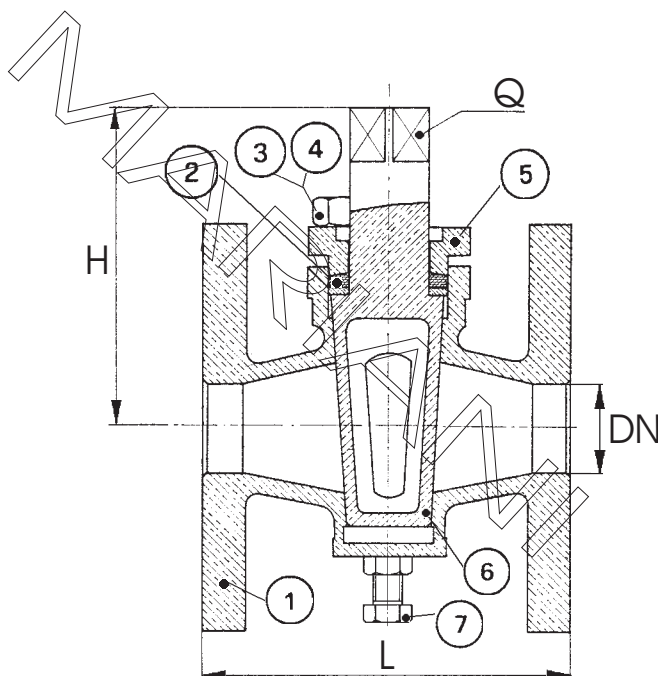


RUBINETTO A MASCHIO C/PREMISTOPPA BULLONATO - VIA DIRITTA - GHISA/ACCIAIO C./INOX - PN 16

PLUG VALVE BOLTED GLAND - STRAIGHT WAY - CAST IRON/CARBON/STAINLESS ST. - 100 LBS

WORKING PRESSURES
W.O.G. NON SHOCK
225 p.s.i.



OPTIONAL FEATURES: 1)CAST IRON LEVER

OPTIONAL MATERIALS: BODY/TRIM

- 10)ASTM A 351 CF 3 M(AISI 316L)
- 11)ASTM A 494 Gr. CW (HASTELLOY C)
- 12)ASTM A 494 Gr. M 35 (MONEL)
- 13)ASTM A 351 Gr. CN 7 M (ALLOY 20)

#CAST IRON ASTM A126 B=UNI 5007-69 (GG25)

	DESCRIZIONE	DESCRIPTION	GH (Cast Iron)	GH/BZ (C.I./Bronze)	A (Carbon Steel)	INOX (StainlessSteel)
1	CORPO	BODY	ASTM A126 B#	ASTM A126 B	ASTM A216 WCB	ASTM A351 CF8M
2	BADERNA	STEM PACKING	GRAPHITE TEFLON.	GRAPHITE TEFLON.	GRAPHITE TEFLON.	GRAPHITE TEFLON.
3	DADO	NUT	ASTM A194 2H	ASTM A194 2H	ASTM A194 2H	ASTM A194 GR.8
4	PRIGIONIERO	BOLTING	ASTM A193 B7	ASTM A193 B7	ASTM A193 B7	ASTM A193 B8
5	PREMISTOPPA	THRUST WASHER	ASTM A126 B	ASTM A126 B	ASTM A216 WCB	ASTM A351 CF8M
6	MASCHIO	PLUG	ASTM A126 B	BRASS ASTM B283	ASTM A351 CF8	ASTM A351 CF8M
7	SPINGIMASCHIO	BOTTOM SCREW	ASTM A193 B7	ASTM A193 B7	ASTM A193 B7	ASTM A193 B8

FLANGED ENDS: DIN 2501 PN 6-10-16 / ANSI-ASME 150 FF - 150 RF

	SIZE	1/2"	3/4"	1"	1 1/4"	1 1/2"	2"	2 1/2"	3"	4"	5"	6"	8"
	DN	15	20	25	32	40	50	65	80	100	125	150	200
GH	L	85	95	105	120	140	160	230	260	320	355	400	500
	H	95	105	115	140	150	165	185	200	220	250	285	385
	Q	15	17	19	21	24	27	32	36	52	62	66	62
	Kg	2	2.700	3.500	5	7	10	15	19	30	57	78	104
A/INOX	L	80	95	110	140	140	160	230	260	320	350	400	500
	H	95	100	113	115	145	161	180	190	230	275	345	385
	Q	16	18	19	19	25	30	34	40	52	52	62	62
	Kg	2.200	2.900	4.500	7.600	9	10.400	19	26	34	63	81	111