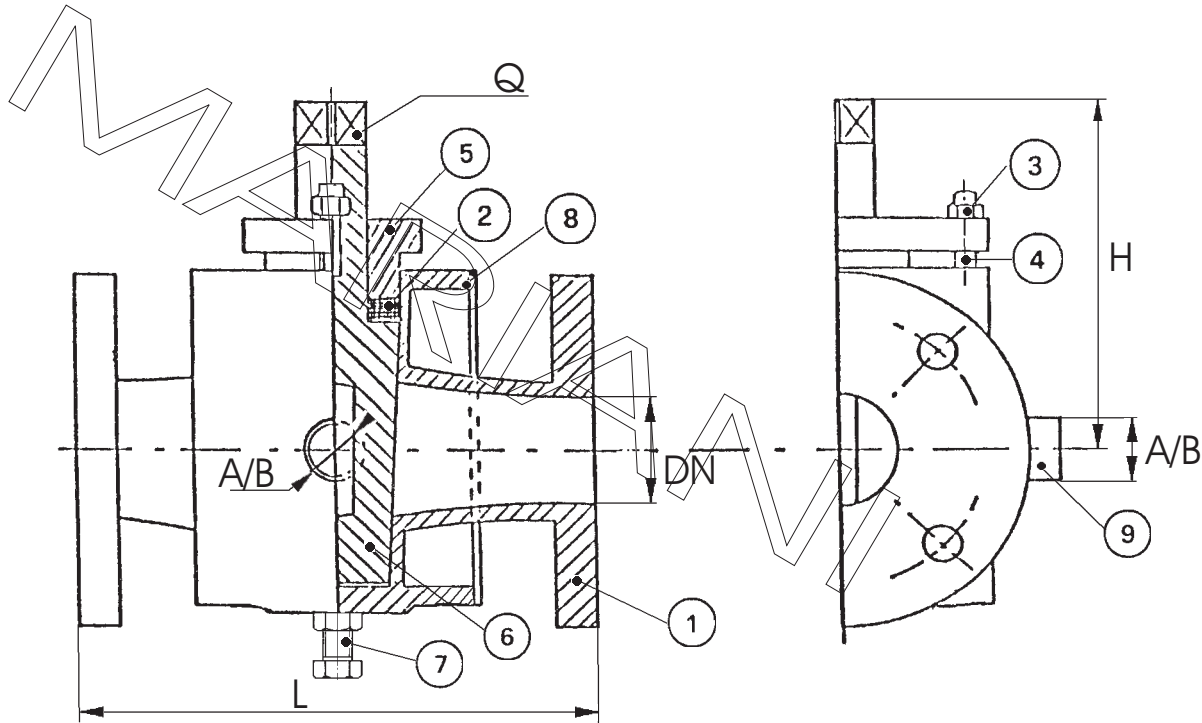


**RUBINETTO A MASCHIO C/PREMISTOPPA BULLONATO E CAMICIA
DI RISCALDAMENTO - VIA DIRITTA - ACCIAIO C./INOX - PN 16**

**PLUG VALVE BOLTED GLAND - FULL JACKETED -
STRAIGHT WAY - CARBON/STAINLESS ST. - 100 LBS**



WORKING PRESSURES
W.O.G. NON SHOCK
225 p.s.i.

OPTIONAL FEATURES: 1)CAST IRON LEVER
2)JACKET CONNECTION FLANGED

OPTIONAL MATERIALS: BODY/TRIM
10)ASTM A 351 CF 3 M(AISI 316L)
11)ASTM A 494 Gr. CW (HASTELLOY C)
12)ASTM A 494 Gr. M 35 (MONEL)
13)ASTM A 351 Gr. CN 7 M (ALLOY 20)

	DESCRIZIONE	DESCRIPTION	A (Carbon Steel)	INOX (Stainless Steel)
1	CORPO	BODY	ASTM A216 WCB	ASTM A351 CF8M
2	BADERNA	STEM PACKING	GRAPHITE TEFLONED	GRAPHITE TEFLONED
3	DADO	NUT	ASTM A194 2H	ASTM A194 Gr.8
4	PRIGIONIERO	BOLTING	ASTM A193 B7	ASTM A193 B8
5	PREMISTOPPA	THRUST WASHER	ASTM A216 WCB	ASTM A351 CF8M
6	MASCHIO	PLUG	ASTM A351 CF8	ASTM A351 CF8M
7	SPINGIMASCHIO	BOTTOM SCREW	ASTM A193 B7	ASTM A193 B8
8	CAMICIA	JACKET	ASTM A106 Gr.B	ASTM A106 Gr.B
9	MANICOTTI CAMICIA N°2	JACKET CONNECTIONS N°2	ASTM A105	ASTM A105

FLANGED ENDS: DIN 2501 PN 6-10-16 / ANSI-ASME 150 FF - 150 RF

SIZE	1"	1 1/4"	1 1/2"	2"	2 1/2"	3"	4"	5"	6"	8"
DN	25	32	40	50	65	80	100	125	150	200
L	160	200	200	230	250	270	335	350	400	500
H	113	115	145	161	180	190	230	275	345	385
A	3/8"	3/8"	3/8"	1/2"	3/4"	3/4"	3/4"	3/4"	3/4"	3/4"
B	3/8"	3/8"	3/8"	1/2"	3/4"	3/4"	3/4"	3/4"	3/4"	3/4"
Q	19	19	25	30	34	40	52	52	62	62
Kg	8	11.5	13.5	18	27	36	38	78	104	127