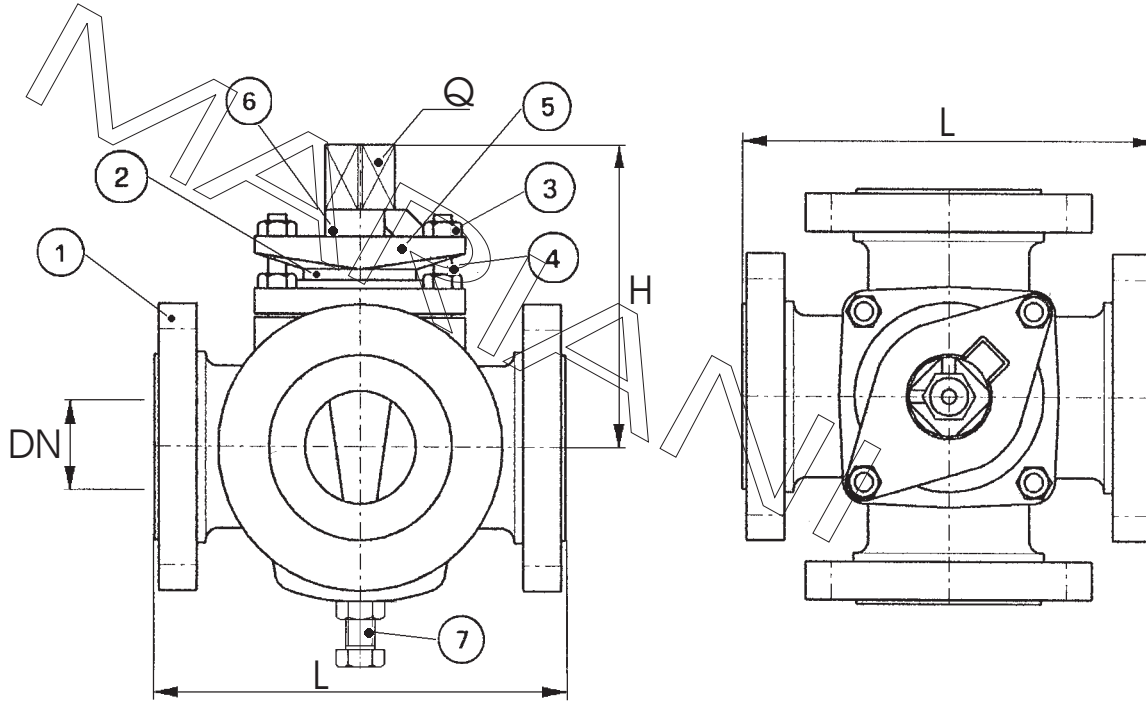


**RUBINETTO A MASCHIO C/PREMISTOPPA BULLONATO -  
4 VIE - GHISA/ACCIAIO C./INOX - PN 16**

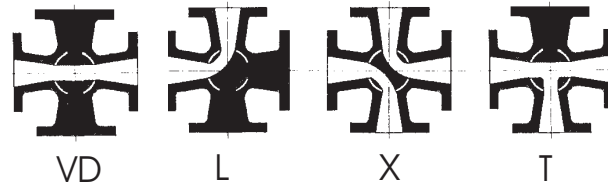
**PLUG VALVE BOLTED GLAND - 4 WAYS -  
CAST IRON/CARBON/STAINLESS ST. - 100 LBS**



OPTIONAL FEATURES: 1)CAST IRON LEVER

OPTIONAL MATERIALS: BODY/TRIM

- 10)ASTM B62 C83600 (BRONZE)
- 11)ASTM A 351 CF 3 M(AISI 316L)
- 12)ASTM A 494 Gr. CW (HASTELLOY C)
- 13)ASTM A 494 Gr. M 35 (MONEL)
- 14)ASTM A 351 Gr. CN 7 M (ALLOY 20)



**WORKING PRESSURES**  
W.O.G. NON SHOCK  
225 p.s.i.

#CAST IRON ASTM A126 B=UNI 5007-69 (GG25)

\*BRASS ASTM B283=CuZn40Pb2 (UNI 5705/65)

	DESCRIZIONE	DESCRIPTION	GH/BZ- (C.I./Bronze)	A (Carbon Steel)	INOX (Stainless Steel)
1	CORPO	BODY	ASTM A126 B#	ASTM A216 WCB	ASTM A351 CF8M
2	BADERNA	STEM PACKING	GRAPHITE TEFLON.	GRAPHITE TEFLON.	GRAPHITE TEFLON.
3	DADO	NUT	ASTM A194 2H	ASTM A194 2H	ASTM A194 GR.8
4	PRIGIONIERO	BOLTING	ASTM A193 B7	ASTM A193 B7	ASTM A193 B8
5	PREMISTOPPA	THRUST WASHER	ASTM A126 B	ASTM A216 WCB	ASTM A351 CF8M
6	MASCHIO	PLUG	BRONZE ASTM B 62	ASTM A351 CF8	ASTM A351 CF8M
7	SPINGIMASCHIO	BOTTOM SCREW	ASTM A193 B7	ASTM A193 B7	ASTM A193 B8

**FLANGED ENDS: DIN 2501 PN 6-10-16 / ANSI-ASME 150 FF - 150 RF**

SIZE	1 1/4"	1 1/2"	2"	2 1/2"	3"	4"	5"	6"	8"
DN	32	40	50	65	80	100	125	150	200
L	200	200	225	240	265	315	345	400	500
H	115	115	135	200	215	245	245	345	385
Q	24	24	36	36	40	52	62	62	62
Kg	11	14	27	35	40	55	88	130	178