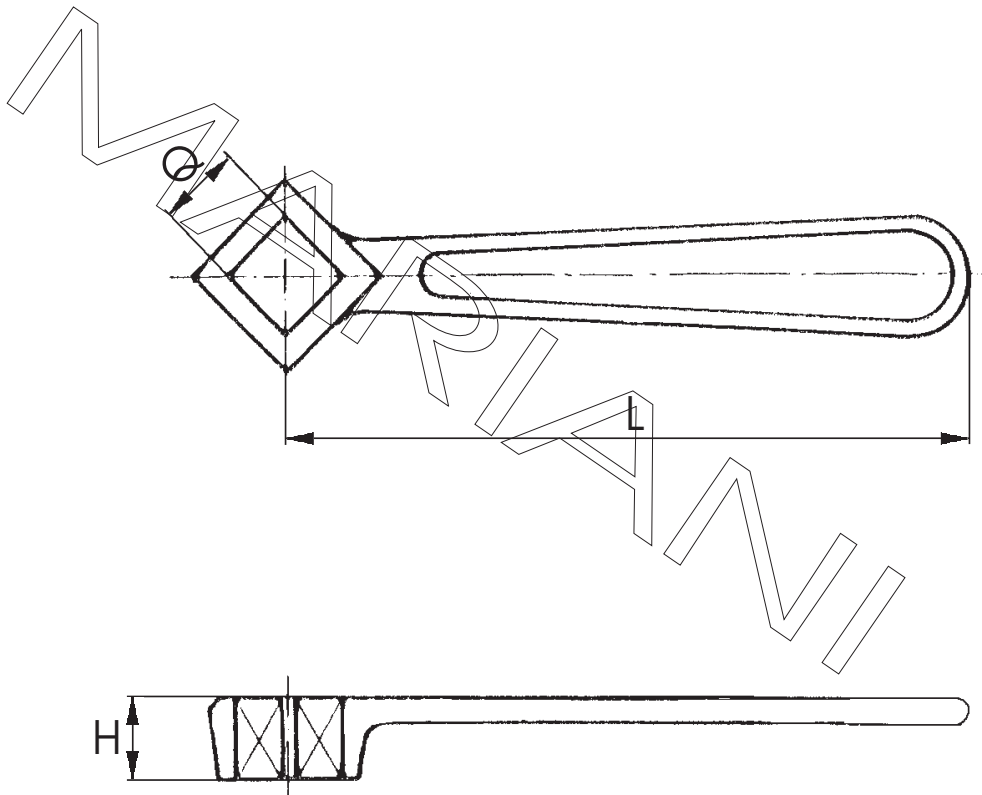


LEVA DI MANOVRA PER RUBINETTO A MASCHIO
OPERATION LEVER FOR PLUG VALVE



MATERIAL: ASTM A126 B (CAST IRON)

OPTIONAL MATERIALS: ASTM A216 WCB (CARBON STEEL)

ASTM A351 CF8M (STAINLESS STEEL)

Q	10	11	12	14	17	19	20	22	24	26	27	30	32	36	40	52	61
L	105	107	111	120	125	138	138	145	195	160	165	172	182	440	530	755	815
H	10	10	10	11	12	13	13	14	20	14	14	17	17	35	40	44	46
Kg	0.05	0.06	0.09	0.12	0.12	0.15	0.16	0.18	0.56	0.30	0.27	0.31	0.38	2.4	3	5.2	6.2