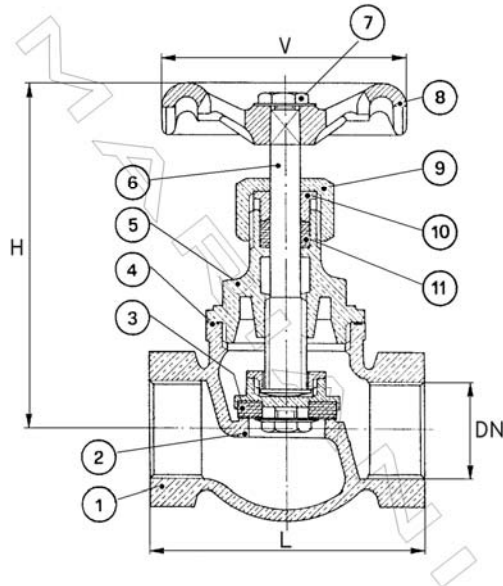
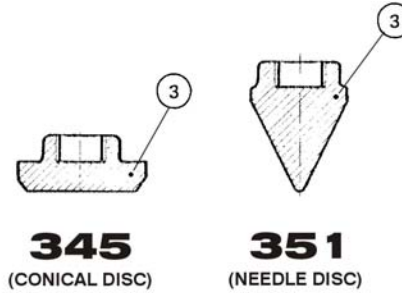


VALVOLA A GLOBO – VITONE AVVITATO – ASTA SALIENTE - BRONZO – PN 16

GLOBE VALVE - SCREWED BONNET – RISING STEM – BRONZE – 100 LBS



WORKING PRESSURES
W.O.G. NON SHOCK
225 p.s.i.



CONFORM TO: BS 5154/B
MSS SP 80

OPTIONAL FEATURES: 1) SCREW DOWN NON RETURN

	DESCRIZIONE	DESCRIPTION	335 PTFE DISC	345-351 CONICAL/NEEDLE DISC
1	CORPO	BODY	BRONZE ASTM B62 C83600	BRONZE ASTM B62 C83600
2	SEDE INTEGRALE	INTEGRAL SEAT	BRONZE ASTM B62 C83600	BRONZE ASTM B62 C83600
3	OTTURATORE	DISC	P.T.F.E.	ASTM B16
4	GUARNIZIONE	PACKING	FIBER	FIBER
5	VITONE	BONNET	ASTM B283	ASTM B283
6	ASTA	STEM	ASTM B16	ASTM B16
7	DADO	NUT	ZINC PLATED STEEL	ZINC PLATED STEEL
8	VOLANTINO	HANDWHEEL	LAQUERED STEEL	LAQUERED STEEL
9	DADO PREMISTOPPA	GLAND NUT	ASTM B16	ASTM B16
10	PREMISTOPPA	THRUST WASHER	ASTM B16	ASTM B16
11	BADERNA	STEM PACKING	GRAPHITE TEFLONED	GRAPHITE TEFLONED

THREADING: NPT (ANSI B1.20.1) or BSP (ISO 228/1)

	DN	1/4"	3/8"	1/2"	3/4"	1"	1 1/4"	1 1/2"	2"	2 1/2"	3"	4"
335 345	L	54	54	54	71	80	96	104	110	135	146	190
	H _(OPEN)	83	83	83	103	112	132	146	165	225	255	320
	V	55	55	55	70	70	80	80	80	120	120	175
	Kg	0300	0.300	0.385	0.600	0.850	1.350	1.800	1.860	3.950	5.270	10.700
351	L	54	54	58	70	80	95	105	128	155	175	200
	H _(OPEN)	83	83	88	103	112	132	146	174	238	280	310
	V	50	50	60	65	70	75	80	90	125	150	150
	Kg	0.300	0.300	0.385	0.600	0.850	1.350	1.800	2.750	5.500	7.700	10.700