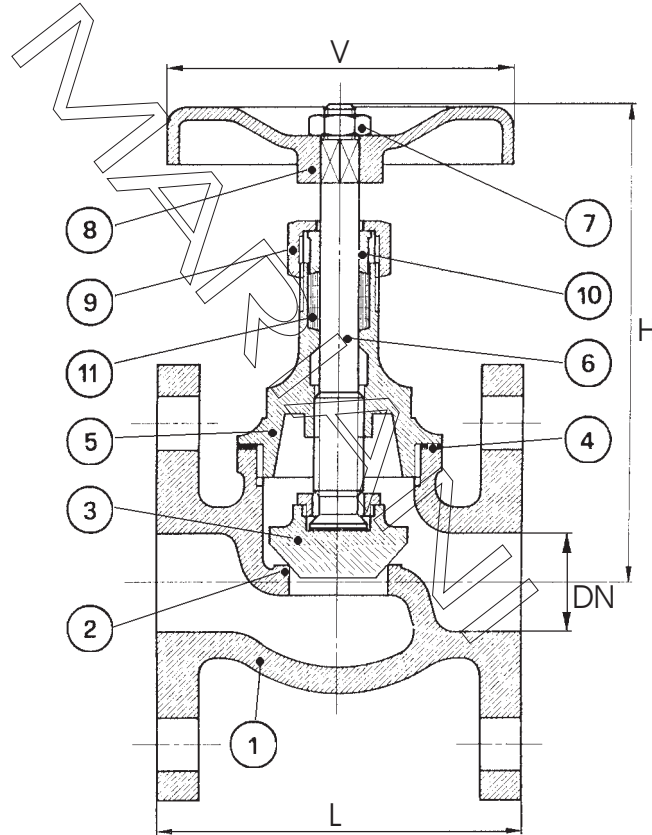


**VALVOLA A GLOBO - VITONE AVVITATO - ASTA SALIENTE -
BRONZO - NI/AL BRONZE - S.150**
**GLOBE VALVE - SCREWED BONNET - RISING STEM -
BRONZE - NI/AL BRONZE - S.150**



WORKING PRESSURES
W.O.G. NON SHOCK
350 p.s.i.

CONFORM TO: BS 5154/B
ANSI B16.24 / BS 1560 3.3 (FLAT FACE)
LENGHT BS 5154 "LONG" FACE TO FACE
MSS SP 80

OPTIONAL FEATURES: 1)NON RETURN DISC DOWN
2)NEEDLE DISC
3)LOCKING DEVICE

*BRONZE ASTM B62 C83600=BS 1400 LG2=UNI 7013-8°
#BRASS ASTM B283=CuZn40Pb2 (UNI 5705/65)
@AL/BRONZE ASTM B148 C95500=BS1400 AB2=UNI 5275

OPTIONAL TRIM MATERIALS: 10)ASTM B61 C92200 (BRONZE)
11)ASTM A182 F316 (INOX)
12)MONEL K500

	DESCRIZIONE	DESCRIPTION	BZ (Bronze)	AL/BZ (Aluminium/Bronze)
1	CORPO	BODY	BRONZE ASTM B62*	AL/BZ ASTM B148 C95500@
2	SEDE INTEGRALE	INTEGRAL SEAT	BRONZE ASTM B62	AL/BZ ASTM B148 C95500
3	OTTURATORE	DISC	BRASS ASTM B16	AL/BZ ASTM B148 C95500
4	GUARNIZIONE	PACKING	FIBER	P.T.F.E.
5	VITONE	BONNET	BRASS ASTM B283#	AL/BZ ASTM B148 C95500
6	ASTA	STEM	BRASS ASTM B16	AL/BZ ASTM B148 C95500
7	DADO	NUT	ZINC PLATED STEEL	ZINC PLATED STEEL
8	VOLANTINO	HANDWHEEL	LAQUERED STEEL	LAQUERED STEEL
9	DADO PREMISTOPPA	GLAND NUT	BRASS ASTM B16	BRASS ASTM B16
10	PREMISTOPPA	THRUST WASHER	BRASS ASTM B16	BRASS ASTM B16
11	BADERNA	STEM PACKING	GRAPHITE TEFLONED	GRAPHITE TEFLONED

FLANGED ENDS: DIN 2501 PN 10-16 / ANSI B16.24 - 150 FF

SIZE	1/2"	3/4"	1"	1 1/4"	1 1/2"	2"
DN	15	20	25	32	40	50
L	108	117	127	146	159	190
H(OPEN)	130	145	164	190	210	230
V	70	80	90	110	110	110
Kg	2.200	2.600	3.900	5.300	7.200	11.500