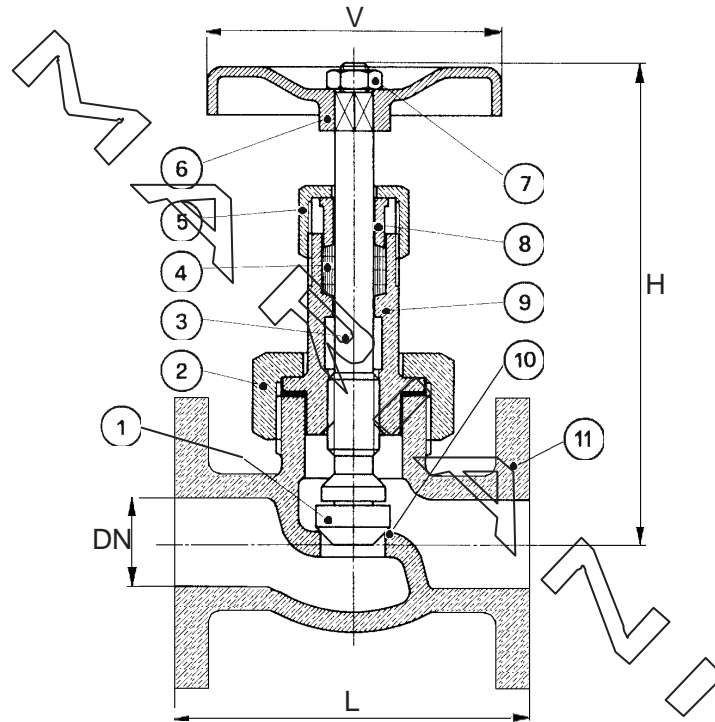


**VALVOLA A GLOBO – UNION BONNET – ASTA SALIENTE –  
BRONZO – Ni/AI BRONZE – ANSI 150-300**

**GLOBE VALVE - UNION BONNET - RISING STEM –  
BRONZE – Ni/AI BRONZE – ANSI 150-300**

**WORKING PRESSURES**  
W.O.G. NON SHOCK  
**350 p.s.i.**



CONFORM TO: BS 5154  
MSS SP 80  
ANSI B16.24 / BS 1560 3.3 (FLAT FACE)  
LENGTH BS 5154 "LONG" FACE TO FACE ( except 1/2" and 3/4" mnf. std.)  
BACKSEAT

OPTIONAL TRIM MATERIALS: ASTM A182 F316  
MONEL K500

	DESCRIZIONE	DESCRIPTION	BZ (Bronze)	Al/BZ (Aluminium/ Bronze)
1	OTTURATORE	DISC	BRONZE ASTM B62 C83600	ASTM B150 C63000
2	CALOTTA	UNION-NUT	ASTM B62 C83600	ASTM B62 C83600
3	ASTA	STEM	BRONZE ASTM B62 C83600	ASTM B150 C63000
4	BADERNA	STEM PACKING	GRAPHITE TEFLONED	GRAPHITE TEFLONED
5	DADO PREMISTOPPA	GLAND NUT	ASTM B62 C83600	ASTM B62 C83600
6	VOLANTINO	HANDWHEEL	CARBON STEEL	CARBON STEEL
7	DADO	NUT	ZINC PLATED STEEL	ZINC PLATED STEEL
8	PREMISTOPPA	THRUST WASHER	ASTM B62 C83600	ASTM B148 C95800
9	VITONE	BONNET	BRONZE ASTM B62 C83600	ASTM B148 C95800
10	SEDE INTEGRALE	INTEGRAL SEAT	BRONZE ASTM B62 C83600	ASTM B148 C95800
11	CORPO	BODY	BRONZE ASTM B62 C83600	ASTM B148 C95800

**FLANGED ENDS: ANSI B16.5 (ANSI B16.24 THICKNESS) 150 FF/RF or DIN 2501 PN 10-16**

SIZE	1/2"	3/4"	1"	1"1/4	1"1/2	2"	3"
DN	15	20	25	32	40	50	80
L	108	117	127	146	158	190	215
H (OPEN)	154	158	172	190	203	265	280
V	70	70	80	90	100	125	150
Kg	2.000	2.700	4.000	5.450	6.400	9.400	12.600