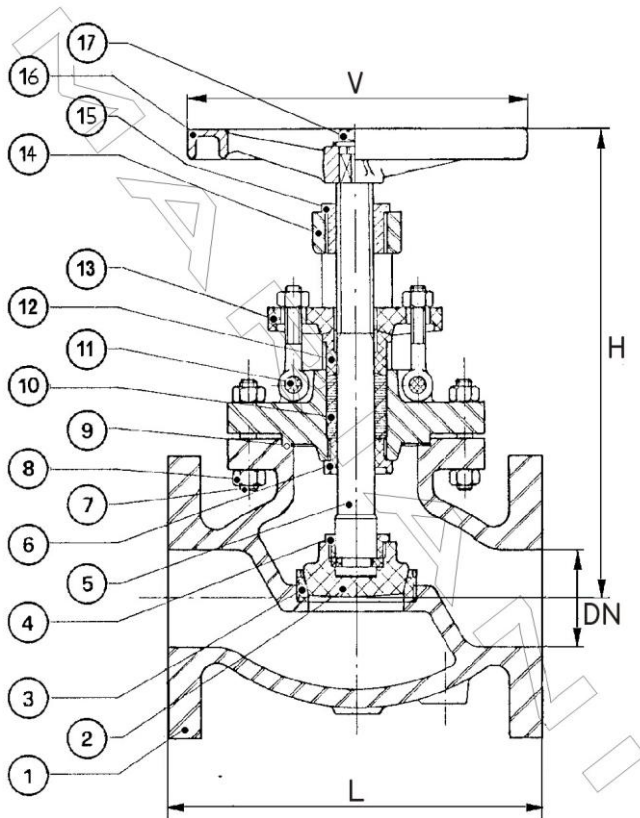


**VALVOLA A GLOBO – COPERCHIO BULLONATO – VITE ESTERNA –
ASTA SALIENTE – BRONZO – NI/AL BRONZE – ANSI 300**

**GLOBE VALVE - BOLTED BONNET - OUTSIDE SCREW & YOKE -
RISING STEM – BRONZE – NI/AL BRONZE – ANSI 300**



WORKING PRESSURES
W.O.G. NON SHOCK
700 p.s.i.

**CONFORM TO: TEST API 598/ MSS SP-61
BS EN 12288
BS 5154/ANSI B16.24 / BS 1873
LENGTH ANSI B16.10**

OPTIONAL TRIM MATERIALS :
1) ASTM A182 F316 (INOX)
2) MONEL K500

OPTIONAL FEATURES:
1) LOCKING DEVICE
2) POSITION INDICATOR
3) GEAR MANUAL OPERATOR
4) MOUNTING PLATE DIN/ISO 5211

	DESCRIZIONE	DESCRIPTION	BZ (Bronze)	AL/BZ (Aluminium/Bronze)
1	CORPO	BODY	BRONZE ASTM B62 C83600	ASTM B148 C95800
2	OTTURATORE	DISC	BRONZE ASTM B62 C83600	ASTM B148 C95800
3	SEDE	SEAT	BRONZE ASTM B62 C83600	ASTM B148 C95800
4	FERMA ASTA	DISC NUT	BRONZE ASTM B62 C83600	ASTM B148 C95800
5	ASTA	STEM	BRONZE ASTM B62 C83600	ASTM B150 C63000
6	CONTROTENUTA	BACK SEAT	BRONZE ASTM B62 C83600	ASTM B148 C95800
7	TIRANTI CORPO	BOLT	ASTM A193 B7 ZINC PL.	ASTM A193 B8 M
8	DADO	NUT	ASTM A194 2H ZINC PL.	ASTM A194 Gr. 8 M
9	GUARNIZIONE	GASKET	GRAPHITE TEFLONED	GRAPHITE TEFLONED
10	BADERNA	STEM PACKING	GRAFOIL	GRAFOIL
11	TIRANTI PREMISTOPPA	EYE BOLT	ASTM A193 B7 ZINC PL.	ASTM A193 B8 M
12	PREMISTOPPA	THRUST WASHER	BRONZE ASTM B62 C83600	BRONZE ASTM B62C83600
13	FLANGETTA	FLANGE	BRONZE ASTM B62 C83600	ASTM B148 C95800
14	CAVALLOTTO	YOKE	BRONZE ASTM B62 C83600	ASTM B148 C95800
15	BOCCOLA	YOKE SLEEVE	BRONZE ASTM B62 C83600	ASTM B148 C95800
16	VOLANTINO	HANDWHEEL	CARBON STEEL	CARBON STEEL
17	DADO	NUT	ASTM A194 2H ZINC PL.	ASTM A194 Gr. 8 M

FLANGED ENDS: ANSI B16.5 (ANSI B16.24 THICKNESS) 300 FF/RF

SIZE	1"	1 1/2"	2"	2 1/2"	3"	4"	5"	6"	8"	10"	12"	14"	16"
DN	25	40	50	65	80	100	125	150	200	250	300	350	400
L	165	229	267	292	318	356	400	445	559	622	711	838	863
H (OPEN)	225	360	360	365	555	600	620	881	760	850	880	1190	1400
V	100	200	200	250	225	250	300	400	350	425	650	750	850
Kg	7	20	23	28	40	85	125	145	235	325	665*	880*	960*

*Gear Operator