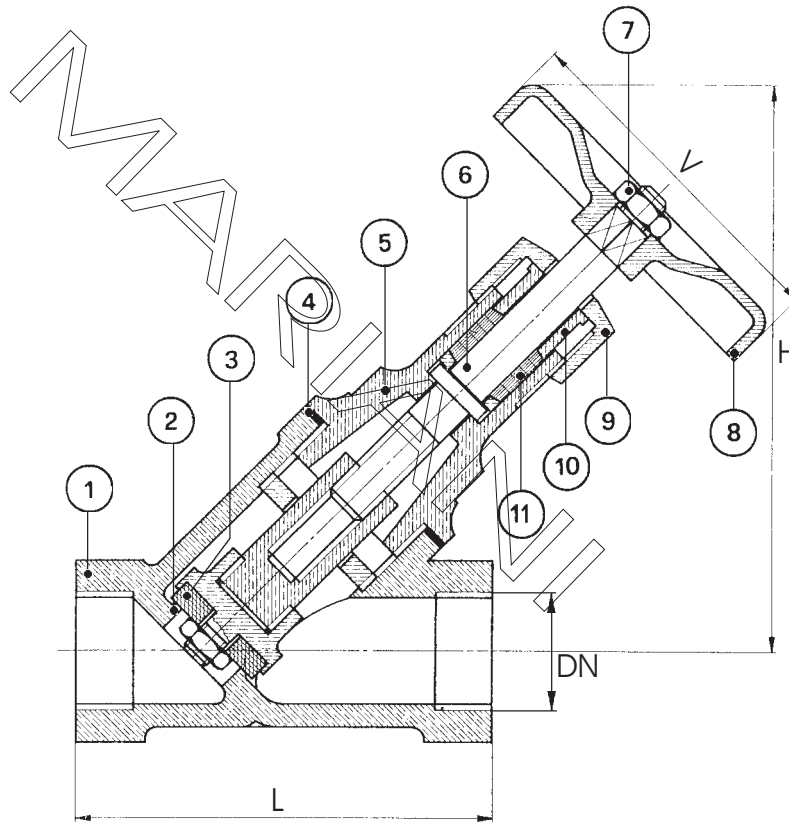


**VALVOLA A FLUSSO LIBERO - VITONE AVVITATO - ASTA SALIENTE -
PASSAGGIO TOTALE - BRONZO - PN 16**

**FREE FLOW VALVE - SCREWED BONNET - RISING STEM -
FULL BORE - BRONZE - 100 LBS**

WORKING PRESSURES
W.O.G. NON SHOCK
225 p.s.i.



CONFORM TO: BS 5154/B
MSS SP 80

OPTIONAL FEATURES: 1) PLUG and DRAIN

OPTIONAL BODY MATERIALS: 10) ASTM B283 (BRASS)
11) ASTM B148 C95500 (NI/AL BZ)

*BRONZE ASTM B62 C83600=BS 1400 LG2=UNI 7013-8°

#BRASS ASTM B283=CuZn40Pb2 (UNI 5705/65)

OPTIONAL TRIM MATERIALS: 12) ASTM A182 F316 (INOX)

	DESCRIZIONE	DESCRIPTION	MATERIAL
1	CORPO	BODY	BRONZE ASTM B62*
2	SEDE INTEGRALE	INTEGRAL SEAT	BRONZE ASTM B62
3	OTTURATORE	DISC	P.T.F.E.
4	GUARNIZIONE	PACKING	FIBER
5	VITONE	BONNET	BRASS ASTM B283#
6	ASTA	STEM	BRASS ASTM B16
7	DADO	NUT	ZINC PLATED STEEL
8	VOLANTINO	HANDWHEEL	LAQUERED STEEL
9	DADO PREMISTOPPA	GLAND NUT	BRASS ASTM B16
10	PREMISTOPPA	THRUST WASHER	BRASS ASTM B16
11	BADERNA	STEM PACKING	GRAPHITE TEFLONED

THREADING: GAS (ISO 7/1 Rp) FEMALE PARALLEL or NPT (ANSI B1.20.1)

SIZE	3/8"	1/2"	3/4"	1"	1 1/4"	1 1/2"	2"	2 1/2"	3"	4"
DN	10	15	20	25	32	40	50	65	80	100
L	55	59	69	82	98	109	131	151	172	219
H	98	101	125	135	151	165	195	234	248	320
V	50	55	60	60	70	70	90	110	120	140
Kg	0.280	0.300	0.480	0.660	1.150	1.300	2.250	3.500	4.800	9.300