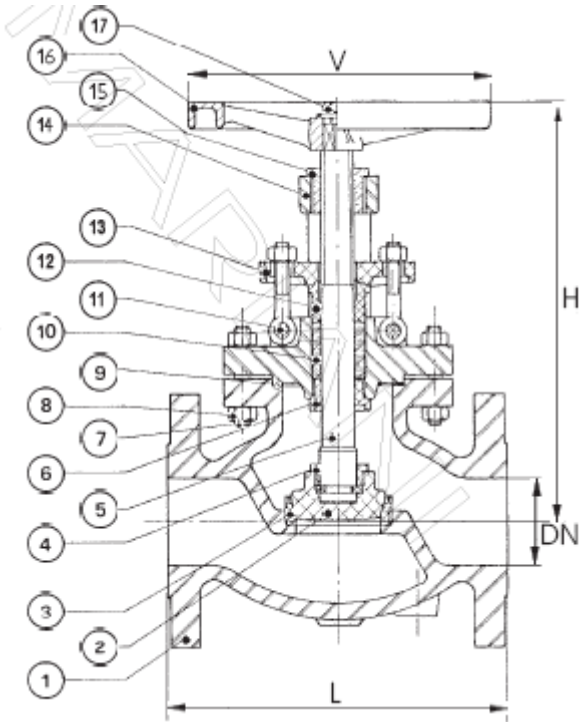


**VALVOLA A GLOBO – COPERCHIO BULLONATO – VITE ESTERNA –
ASTA SALIENTE – GHISA/GHISA SF. – ANSI 150**

**GLOBE VALVE – BOLTED BONNET – OUTSIDE SCREW & YOKE –
RISING STEM – CAST IRON/DUCTILE IRON – ANSI 150**



WORKING PRESSURES
W.O.G. NON SHOCK
350 p.s.i.

CONFORM TO: TEST API 598 / MSS SP 61
LENGTH ANSI B16.10

OPTIONAL FEATURES:
1) LOCKING DEVICE
2) MOUNTING PLATE DIN/ISO 5211
3) GEAR MANUAL OPERATOR

OPTIONAL TRIM MATERIAL: 1) B150C63000
2) A182F316

	DESCRIZIONE	DESCRIPTION	GH (CAST IRON)	GS (DUCTILE IRON)
1	CORPO	BODY	ASTM A126B	ASTM A395
2	OTTURATORE	DISC	ASTM A126B + ASTM B62	ASTM A 395 + ASTM B62
3	SEDE	SEAT	ASTM B62	ASTM B62
4	FERMA ASTA	DISC NUT	ASTM B62	ASTM B62
5	ASTA	STEM	ASTM B62	ASTM B62
6	CONTROTENUTA	BACK SEAT	ASTM A182 F6	ASTM A182 F6
7	TIRANTI CORPO	BOLT	ASTM A193 B7 ZINC PL.	ASTM A193 B7 ZINC PL.
8	DADO	NUT	ASTM A194 2H ZINC PL.	ASTM A194 2H ZINC PL.
9	GUARNIZIONE	GASKET	GRAPHITE TEFLONED	GRAPHITE TEFLONED
10	BADERNA	STEM PACKING	GRAFOIL	GRAFOIL
11	TIRANTI PREMISTOPPA	EYE BOLT	ASTM A193 B7 ZINC PL.	ASTM A193 B7 ZINC PL.
12	PREMISTOPPA	THRUST WASHER	ASTM A182 F6	ASTM A182 F6
13	FLANGETTA	FLANGE	ASTM A126B	ASTM A395
14	CAVALLOTTO	YOKE	ASTM A126B	ASTM A395
15	BOCCOLA	YOKE SLEEVE	ASTM B62	ASTM B62
16	VOLANTINO	HANDWHEEL	CARBON STEEL	CARBON STEEL
17	DADO	NUT	ASTM A194 2H ZINC PL.	ASTM A194 2H ZINC PL.

FLANGED ENDS: ANSI-ASME B16.1 – 150 FF

SIZE	3/4"	1"	1"1/2	2"	2"1/2	3"	4"	6"	8"	10"	12"	14"	16"
DN	20	25	40	50	65	80	100	150	200	250	300	350	400
L	139	152	165	203	216	241	292	406	495	622	698	787	914
H (OPEN)	205	225	330	350	415	435	500	620	700	720	1100	1100	1270
V	100	100	175	200	250	250	300	400	400	450	G.O.	G.O.	G.O.
KG	5	6	16	19	33	34	50	96	168	232	350	430	650