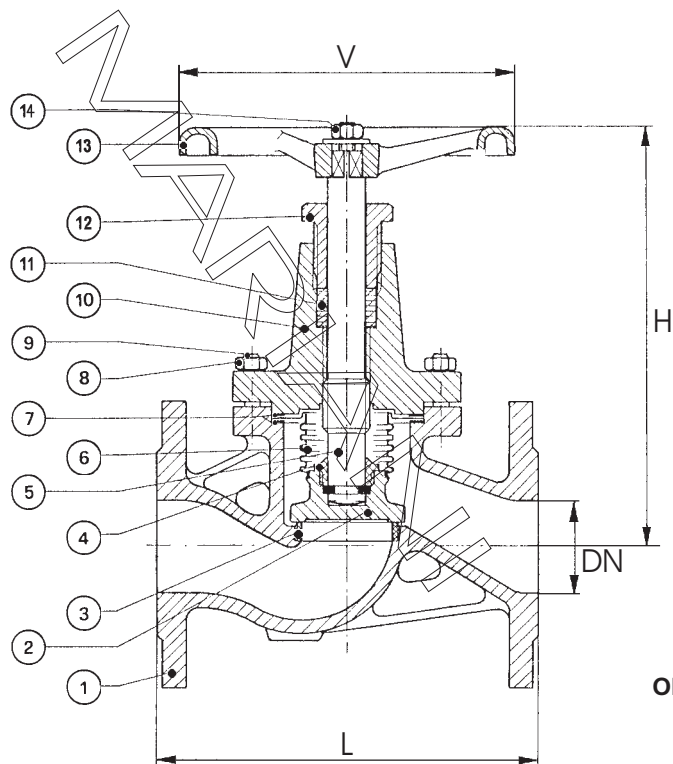


**VALVOLA A FLUSSO AVVIATO - C/SOFFIETTO - COPERCHIO BULLONATO -  
VITE INTERNA - GHISA/GHISA SF./ACCIAIO C. - PN 16-25-40**

**BELLOWS GLOBE VALVE - BOLTED BONNET - INSIDE SCREW -  
CAST IRON/DUCTILE CAST IRON/CARBON ST. - 100-150-250 LBS**



**WORKING  
PRESSURES**  
W.O.G. NON SHOCK  
**500 p.s.i.**

**WORKING TEMPERATURE MAX:**  
GH=+300 °C (+572 °F)  
GS=+350 °C (+663 °F)  
A=+400 °C (+753 °F)

**OPTIONAL FEATURES:** 1)ASTM A351 CF8M (INOX)  
2)REGULATING DISC  
3)POSITON INDICATOR  
4)STELLITED SEAT  
5)MOUNTING PLATE DIN/ISO 5211  
6)GEAR MANUAL OPERATOR  
7)PNEUMATIC/ELECTRIC ACTUATOR

**CONFORM TO: LENGHT DIN 3202 F1**

**#DUCTILE CAST IRON ASTM A536-65-45-12=BS2789 SNG 420/12=GGG40**

**OPTIONAL MATERIALS: 10)PTFE DISC**

**\*CAST IRON ASTM A126 B=BS1452 Gr.220=DIN1691 GG25**

	DESCRIZIONE	DESCRIPTION	GH (Cast Iron) PN 16	GH (Ductile Cast Iron)PN 16/25	A (Carbon Steel) PN 25/40
1	CORPO	BODY	ASTM A126 B*	ASTM A536-65-45-12#	ASTM A216 WCB
2	OTTURATORE	DISC	ASTM A479 TYPE 410	ASTM A479 TYPE 410	ASTM A479 TYPE 410
3	SEDE	SEAT	ASTM A479 TYPE 410	ASTM A479 TYPE 410	AISI 308 L
4	FERMA ASTA	DISC NUT	ASTM A479 TYPE 410	ASTM A479 TYPE 410	AISI 308 L
5	ASTA	STEM	ASTM A479 TYPE 410	ASTM A479 TYPE 410	AISI 308 L
6	SOFFIETTO	BELLOWS	ASTM A182 F321	ASTM A182 F321	ASTM A182 F321
7	GUARNIZIONE	GASKET	GRAPHITE TEFLONED	GRAPHITE TEFLONED	GRAPHITE TEFLONED
8	DADO	NUT	ASTM A194 Gr.1	ASTM A194 Gr.1	ASTM A194 Gr.1
9	TIRANTI CORPO	BOLT	ASTM A193 B7	ASTM A193 B7	ASTM A193 B7
10	CAVALLOTTO	YOKE	ASTM A126 B	ASTM A536-65-45-12	ASTM A216 WCB
11	BADERNA	STEM PACKING	BRAID GRAPHITE	BRAID GRAPHITE	BRAID GRAPHITE
12	PREMISTOPPA	THRUST WASHER	ASTM A105	ASTM A105	ASTM A105
13	VOLANTINO	HANDWHEEL	CARBON STEEL	CARBON STEEL	CARBON STEEL
14	DADO	NUT	ASTM A194 Gr.1	ASTM A194 Gr.1	ASTM A194 Gr.1

**FLANGED ENDS: DIN 2501 PN 16-25-40 / ANSI-ASME B16.5 150 RF**

SIZE	1/2"	3/4"	1"	1 1/4"	1 1/2"	2"	2 1/2"	3"	4"	5"	6"	8"	10"	12"
<b>DN</b>	<b>15</b>	<b>20</b>	<b>25</b>	<b>32</b>	<b>40</b>	<b>50</b>	<b>65</b>	<b>80</b>	<b>100</b>	<b>125</b>	<b>150</b>	<b>200</b>	<b>250</b>	<b>300</b>
<b>L</b>	130	150	160	180	200	230	290	310	350	400	480	600	730	850
<b>H</b>	167	170	170	189	217	252	285	315	386	426	484	697	710	780
<b>V</b>	100	100	100	125	125	150	175	175	200	250	300	400	500	600
<b>Kg</b>	3.400	4.200	4.800	6.200	8.300	12	23	25.500	37.500	45	76	120	240	350