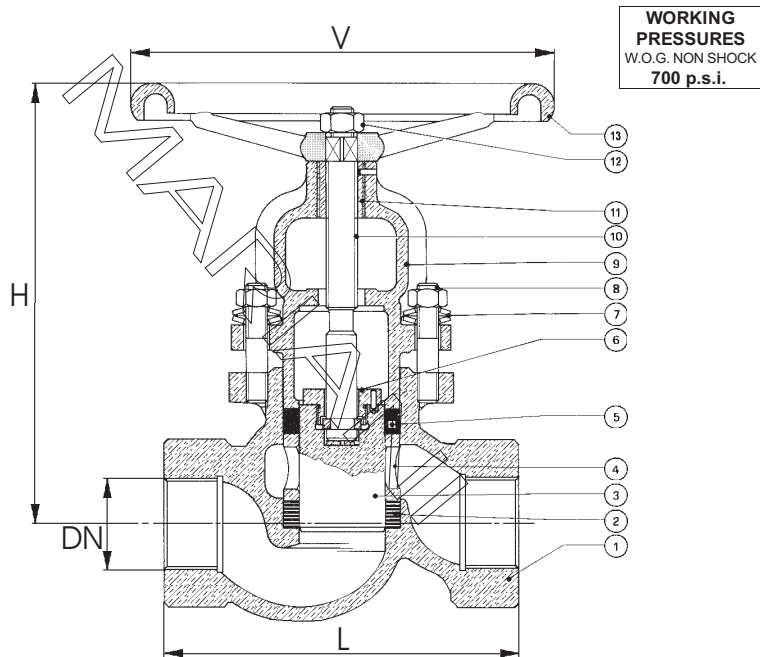


# 863

VALVOLA A PISTONE - COPERCHIO  
BULLONATO - ASTA SALIENTE -  
GHISA/ACCIAIO C./INOX - PN 16-40

PISTON VALVE - BOLTED BONNET -  
RISING STEM - CAST IRON/CARBON/  
STAINLESS ST. - 100-250 LBS



THREADING: GAS (ISO 7/1 Rp)  
NPT (ANSI B1.20.1)

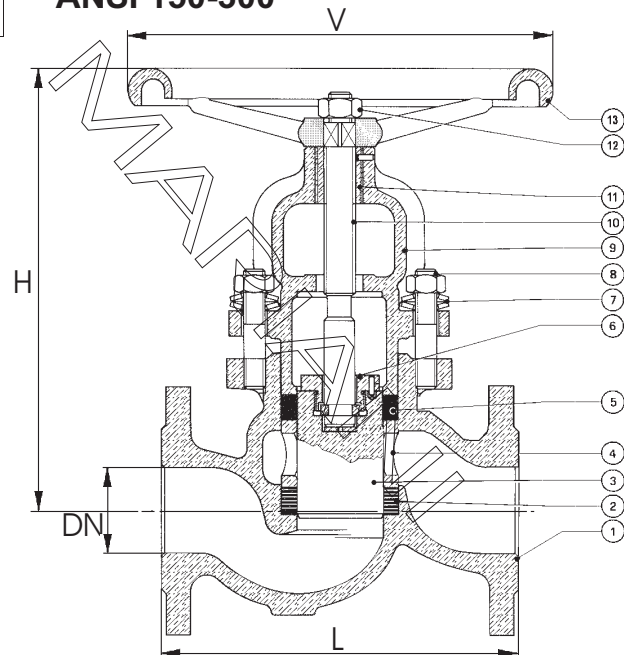
SOLDER ENDS: SW (ANSI B16.11)  
BW (ANSI B16.25)

#CAST IRON ASTM A126 B=BS1452 Gr.220=DIN1691 GG25

# 864

VALVOLA A PISTONE - COPERCHIO  
BULLONATO - ASTA SALIENTE -  
FLANGIATA - PN 16-40 - GHISA/  
ACCIAIO C./INOX - ANSI 150-300

PISTON VALVE - BOLTED BONNET -  
RISING STEM - FLANGED - CAST  
IRON/CARBON/STAINLESS ST. -  
ANSI 150-300



FLANGED ENDS: DIN 2501 PN 16-40  
ANSI-ASME B16.5 - 150-300 RF

CONFORM TO: LENGHT DIN 3202 F1  
OPTIONAL FEATURES: 1)RIGHT ANGLE BODY TYPE

	DESCRIZIONE	DESCRIPTION	GH (Cast Iron)	A (Carbon Steel)	INOX (StainlessSteel)
1	CORPO	BODY	ASTM A126 B#	ASTM A105	ASTM A479 TYPE 316
2	ANELLO TENUTA INF.	LOWER VALVE RING	GRAPHITE	GRAPHITE	GRAPHITE
3	PISTONE	PISTON	INOX ASTM A582 XM34	INOX ASTM A582 XM34	ASTM A479 TYPE 316
4	LANTERNA	LANTERN	ASTM A126 B	ASTM A126 B	ASTM A479 TYPE 316
5	ANELLO TENUTA SUP.	UPPER VALVE RING	GRAPHITE	GRAPHITE	GRAPHITE
6	GHIERA	FIXING RING	ASTM A105	ASTM A105	ASTM A479 TYPE 316
7	MOLLE A TAZZA	SPRING DISCS	C.S. C72	C.S. C72	C.S. C72
8	TIRANTE CORPO	BOLT	ASTM A193 B7	ASTM A193 B7	ASTM A193 B7
9	CAVALLOTTO	YOKE	ASTM A126 B	ASTM A105	ASTM A479 TYPE 316
10	ASTA	STEM	ASTM A479 TYPE 410	ASTM A479 TYPE 410	ASTM A479 TYPE 410
11	BOCCOLA	BUSH	BRASS ASTM B16	BRASS ASTM B16	BRASS ASTM B16
12	DADO	NUT	ASTM A194 2H	ASTM A194 2H	ASTM A194 2H
13	VOLANTINO	HANDWHEEL	CARBON STEEL	CARBON STEEL	CARBON STEEL

SIZE	863							864								
	3/8"	1/2"	3/4"	1"	1 1/4"	1 1/2"	2"	1/2"	3/4"	1"	1 1/4"	1 1/2"	2"	2 1/2"	3"	4"
DN	10	15	20	25	32	40	50	15	20	25	32	40	50	65	80	100
L	100	100	120	135	160	175	190	130	150	160	180	200	230	290	310	350
H (OPEN)	150	150	170	195	220	265	295	150	170	195	220	265	295	248	280	340
V	100	100	115	125	150	175	200	100	115	125	150	175	200	300	300	300
Kg	1.2	1.2	1.9	3.1	5.5	8.1	10.9	2.4	3.5	4.7	8.4	11.3	15.4	21	28	41