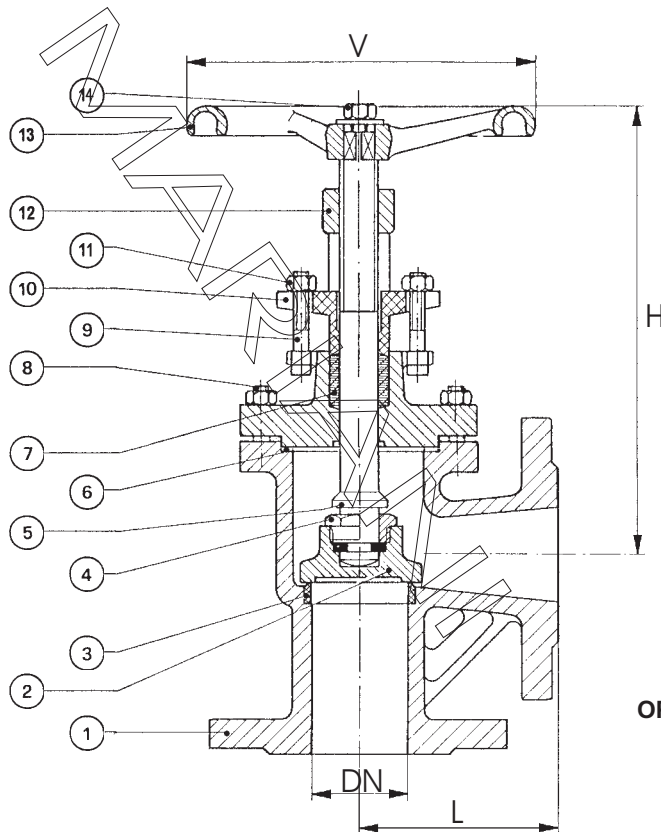


**VALVOLA A SQUADRA - COPERCHIO BULLONATO - VITE ESTERNA -
ASTA SALIENTE - GHISA/ACCIAIO C./INOX - PN 16-25-40**

**ANGLE VALVE - BOLTED BONNET - OUTSIDE SCREW - RISING STEM -
CAST IRON/CARBON/STAINLESS ST. - 100-150-250 LBS**



WORKING PRESSURES
W.O.G. NON SHOCK
500 p.s.i.

- OPTIONAL FEATURES:**
- 1) GLOBE NP 63/NP 100/NP 160/NP 250
 - 2) REGULATING DISC
 - 3) NON RETURN DISC DOWN
 - 4) POSITON INDICATOR
 - 5) MOUNTING PLATE DIN/ISO 5211
 - 6) GEAR MANUAL OPERATOR
 - 7) PNEUMATIC/ELECTRIC ACTUATOR

#CAST IRON ASTM A126 B=BS1452 Gr.220=DIN1691 GG25

OPTIONAL MATERIALS: 10)PTFE DISC

	DESCRIZIONE	DESCRIPTION	GH (Cast Iron) PN 16	A (Carbon Steel) PN 25/40	INOX (StainlessSteel) PN 25/40
1	CORPO	BODY	ASTM A126 B#	ASTM A216 WCB	ASTM A351 CF8M
2	OTTURATORE	DISC	ASTM A479 TYPE 420	ASTM A479 TYPE 420	ASTM A182 F316
3	SEDE	SEAT	ASTM A479 TYPE 420	ASTM A479 TYPE 420	ASTM A351 CF8M
4	FERMA ASTA	DISC NUT	ASTM A105 N	ASTM A105 N	ASTM A182 F316
5	ASTA	STEM	ASTM A479 TYPE 420	ASTM A479 TYPE 420	ASTM A182 F316
6	GUARNIZIONE	GASKET	GRAFOIL	GRAFOIL	GRAFOIL
7	BADERNA	STEM PACKING	GRAPHITE TEFLONED	GRAPHITE TEFLONED	GRAPHITE TEFLONED
8	TIRANTI CORPO	BOLT	ASTM A193 B7	ASTM A193 B7	ASTM A193 B8
9	TIRANTI PREMISTOPPA	EYE BOLT	ASTM A193 B7	ASTM A193 B7	ASTM A193 B8
10	PREMISTOPPA	THRUST WASHER	ASTM A105 N	ASTM A105 N	ASTM A182 F316
11	DADO	NUT	ASTM A194 Gr.1	ASTM A194 2H	ASTM A194 Gr.8
12	CAVALLOTTO	YOKE	ASTM A126 B	ASTM A216 WCB	ASTM A351 CF8M
13	VOLANTINO	HANDWHEEL	CARBON STEEL	CARBON STEEL	CARBON STEEL
14	DADO	NUT	ASTM A194 Gr.1	ASTM A194 2H	ASTM A194 Gr.8

FLANGED ENDS: DIN 2501 PN 6-10-16-25-40

SIZE	1/2"	3/4"	1"	1 1/4"	1 1/2"	2"	2 1/2"	3"	4"	5"	6"	8"	10"	12"
DN	15	20	25	32	40	50	65	80	100	125	150	200	250	300
L	90	95	100	105	115	125	145	155	175	200	225	275	365	425
H	170	170	170	240	250	255	290	320	360	390	440	515	595	760
V	100	100	120	120	140	140	160	180	200	250	320	360	450	500
Kg	3.100	3.500	4.600	6.600	9	10.800	15.200	20.500	30	44	60	112	270	390