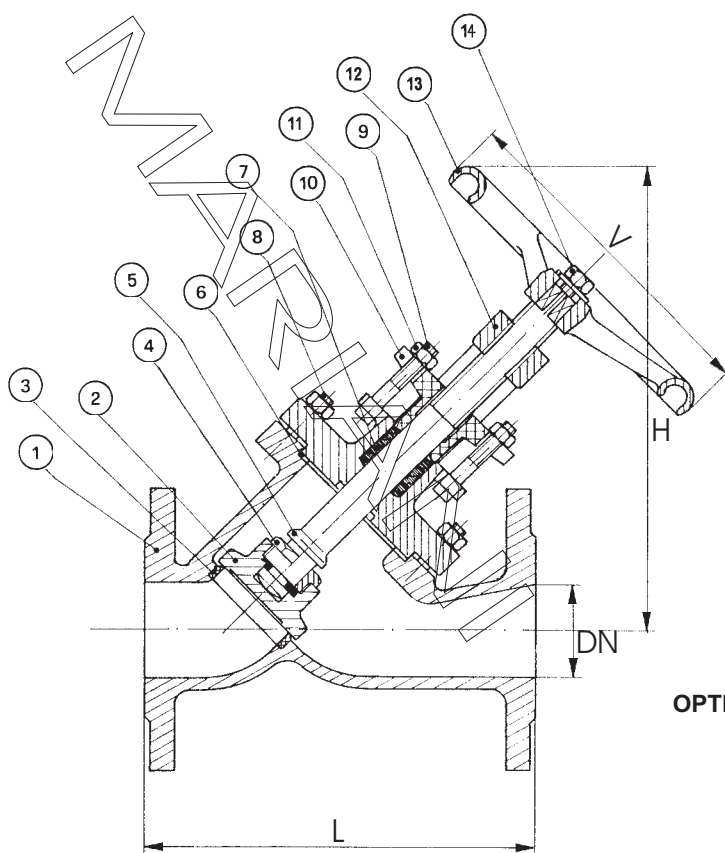


**VALVOLA A FLUSSO LIBERO - COPERCHIO BULLONATO - ASTA SALIENTE - VITE ESTERNA - GHISA/ACCIAIO C./INOX - PASSAGGIO TOTALE - PN 16-25-40**

**FREE FLOW VALVE - BOLTED BONNET - RISING STEM - OUTSIDE SCREW - FULL BORE - CAST IRON/CARBON/STAINLESS ST. - 100-150-250 LBS**



**WORKING PRESSURES**  
W.O.G. NON SHOCK  
**500 p.s.i.**

- OPTIONAL FEATURES:** 1)GLOBE NP 63/NP 100/NP 160  
2)REGULATING DISC  
3)NON RETURN DISC DOWN  
4)POSITON INDICATOR  
5)MOUNTING PLATE DIN/ISO 5211  
6)GEAR MANUAL OPERATOR  
7)PNEUMATIC/ELECTRIC ACTUATOR

**CONFORM TO: LENGHT DIN 3202 F1**

**#CAST IRON ASTM A126 B=BS1452 Gr.220=DIN1691 GG25**

**OPTIONAL MATERIALS: 10)PTFE DISC**

	DESCRIZIONE	DESCRIPTION	GH (Cast Iron) PN 16	A (Carbon Steel) PN 25/40	INOX (StainlessSteel) PN 25/40
1	CORPO	BODY	ASTM A126 B#	ASTM A216 WCB	ASTM A351 CF8M
2	OTTURATORE	DISC	ASTM A479 TYPE 420	ASTM A479 TYPE 420	ASTM A182 F316
3	SEDE	SEAT	ASTM A479 TYPE 420	ASTM A479 TYPE 420	ASTM A351 CF8M
4	FERMA ASTA	DISC NUT	ASTM A105 N	ASTM A105 N	ASTM A182 F316
5	ASTA	STEM	ASTM A479 TYPE 420	ASTM A479 TYPE 420	ASTM A182 F316
6	GUARNIZIONE	GASKET	GRAFOIL	GRAFOIL	GRAFOIL
7	BADERNA	STEM PACKING	GRAPHITE TEFLONED	GRAPHITE TEFLONED	GRAPHITE TEFLONED
8	TIRANTI CORPO	BOLT	ASTM A193 B7	ASTM A193 B7	ASTM A193 B8
9	TIRANTI PREMISTOPPA	EYE BOLT	ASTM A193 B7	ASTM A193 B7	ASTM A193 B8
10	PREMISTOPPA	THRUST WASHER	ASTM A105 N	ASTM A105 N	ASTM A182 F316
11	DADO	NUT	ASTM A194 Gr.1	ASTM A194 2H	ASTM A194 Gr.8
12	CAVALLOTTO	YOKE	ASTM A126 B	ASTM A216 WCB	ASTM A351 CF8M
13	VOLANTINO	HANDWHEEL	CARBON STEEL	CARBON STEEL	CARBON STEEL
14	DADO	NUT	ASTM A194 Gr.1	ASTM A194 2H	ASTM A194 Gr.8

**FLANGED ENDS: DIN 2501 PN 6-10-16-25-40**

SIZE	1/2"	3/4"	1"	1 1/4"	1 1/2"	2"	2 1/2"	3"	4"	5"	6"	8"	10"	12"
<b>DN</b>	<b>15</b>	<b>20</b>	<b>25</b>	<b>32</b>	<b>40</b>	<b>50</b>	<b>65</b>	<b>80</b>	<b>100</b>	<b>125</b>	<b>150</b>	<b>200</b>	<b>250</b>	<b>300</b>
<b>L</b>	130	150	160	180	200	230	290	310	350	400	480	600	730	850
<b>H</b>	190	200	210	220	230	245	310	320	400	420	500	620	710	860
<b>V</b>	100	100	125	125	125	150	175	175	200	225	250	350	450	500
<b>Kg</b>	5	5	5.6	8	10	12	24	28	39	50	77	135	265	358