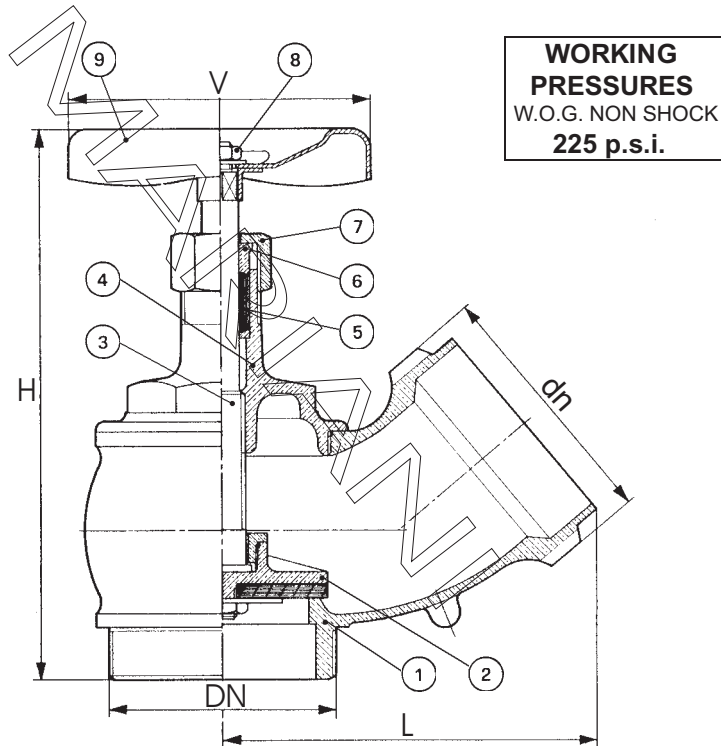


570

RUBINETTO IDRANTE A 45° -
ATTACCO FILETTATO MASCHIO -
OTTONE - PN 16

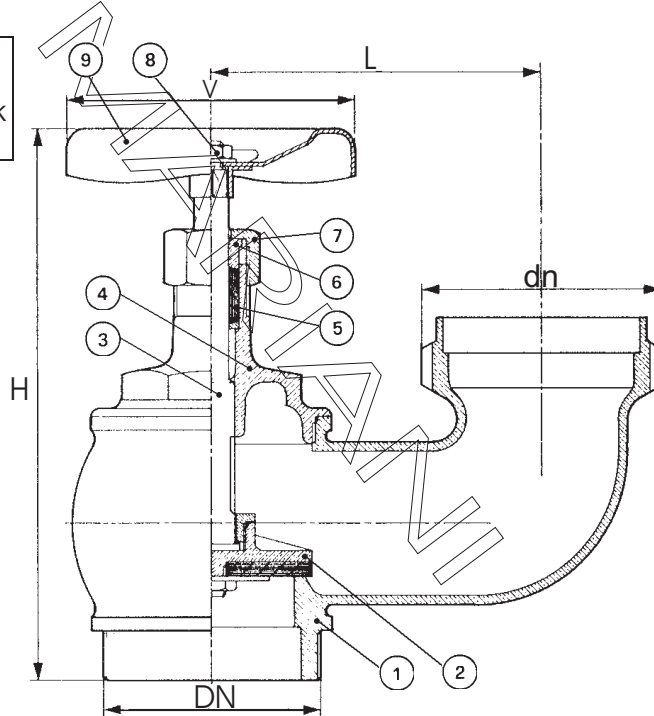
FIRE VALVE OUTLET 45° - MALE
THREADED - BRASS - 100 LBS



580

RUBINETTO IDRANTE A 180° -
ATTACCO FILETTATO MASCHIO -
OTTONE - PN 16

FIRE VALVE OUTLET 180° - MALE
THREADED - BRASS - 100 LBS



CONFORM TO: UNI 671/2-10779

OPTIONAL FEATURES: 10)OUTLET 90° MALE THREADED - OUTLET 45° FEMALE THREADED
11)NH CONNECTION (AMERICAN STD.) BS CONNECTION (BRITISH STD.)
12)DSP CONNECTION (FRENCH STD.) STORZ CONNECTION (GERMAN STD.)
13)CAST IRON HANDWHEEL

	DESCRIZIONE	DESCRIPTION	MATERIAL
1	CORPO	BODY	BRASS ASTM B283
2	OTTURATORE	DISC	BRASS ASTM B283
3	ASTA	STEM	BRASS ASTM B16
4	VITONE	BONNET	BRASS ASTM B283
5	BADERNA	STEM PACKING	GRAPHITE TEFLONED
6	PREMISTOPPA	THRUST WASHER	BRASS ASTM B16
7	DADO PREMISTOPPA	GLAND NUT	BRASS ASTM B16
8	DADO	NUT	CHROMED STEEL
9	VOLANTINO	HANDWHEEL	LAQUERED STEEL

THREADING: GAS (ISO 7/1 Rp) FEMALE PARALLEL

	570					580			
DN	1 1/4"	1 1/2"	2"	2"	2 1/2"	1 1/4"	1 1/2"	2"	2 1/2"
dn	UNI 45	UNI 45	UNI 45	UNI 70	UNI 70	UNI 45	UNI 45	UNI 70	UNI 70
L	70	80	90	108	122	90	90	115	115
H	120	140	150	155	175	140	140	170	190
V	70	80	90	90	100	70	80	90	100
Kg	0.650	1	1	1.350	2.250	1.100	1.100	1.800	2.850

UNI 25=THREADED 34 MB UNI 45=THREADED 56 MB UNI 70=THREADED 85 MA