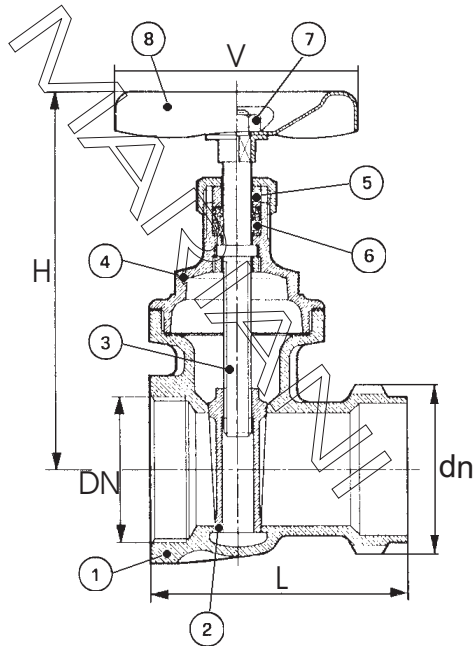


582

**VALVOLA A SARACINESCA -
USCITA UNI MASCHIO -
OTTONE - PN 16**

**GATE VALVE - OUTLET UNI
MALE - BRASS - 100 LBS**

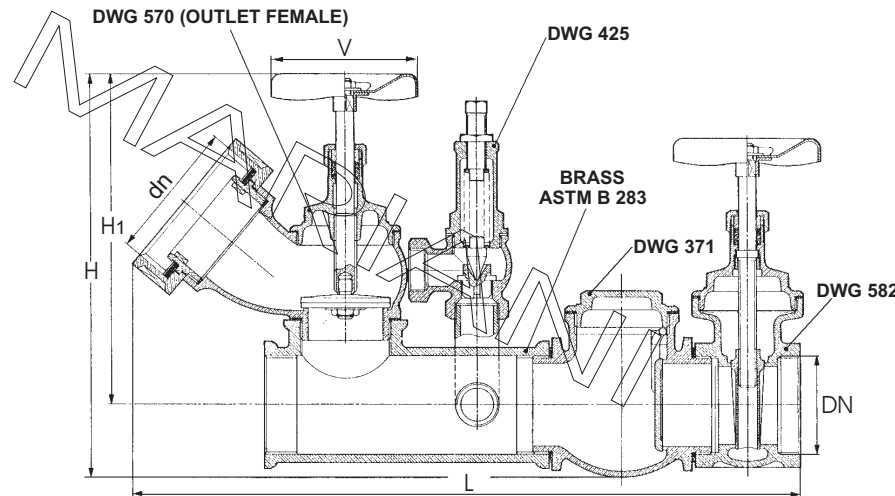


**WORKING
PRESSURES**
W.O.G. NON SHOCK
225 p.s.i.

583

**GRUPPO ATTACCO MOTOPOMPA
ORIZZONTALE/VERTICALE
UNI 70 - PN 6**

**FIRE BRIGATE TRUCK COUPLING
ASSEMBLIE HORIZONTAL OR
VERTICAL TYPE UNI 70 - NP 6**



#BRASS ASTM B283=CuZn40Pb2 (UNI 5705/65)

*BRONZE ASTM B62 C83600=BS 1400 LG2=UNI 7013-8°

OPTIONAL FEATURES: 10) FLANGED TYPE (Art.583)
11) CAST IRON HANDWHEEL

	DESCRIZIONE	DESCRIPTION	OT (Brass)	BZ (Bronze)
1	CORPO	BODY	BRASS ASTM B283#	BRONZE ASTM B62*
2	CUNEO	WEDGE	BRASS ASTM B283	BRASS ASTM B283
3	ASTA	STEM	BRASS ASTM B16	BRASS ASTM B16
4	VITONE	BONNET	BRASS ASTM B283	BRASS ASTM B283
5	BADERNA	STEM PACKING	GRAPHITE TEFLONED	GRAPHITE TEFLONED
6	PREMISTOPPA	THRUST WASHER	BRASS ASTM B16	BRASS ASTM B16
7	DADO	NUT	CHROMED STEEL	CHROMED STEEL
8	VOLANTINO	HANDWHEEL	LAQUERED STEEL	LAQUERED STEEL

THREADING: GAS (ISO 7/1 Rp) FEMALE PARALLEL

DN	582							583					
	1"	1 1/2"	2"	2"	2 1/2"	3"	4"	4"	5"	2"	2 1/2"	3"	4"
dn	UNI 25	UNI 45	UNI 45	UNI 70	UNI 70	UNI 80	UNI 100	UNI 125	UNI 125	UNI 70	UNI 70	UNI 70	UNI 70
L	70	80	88	88	100	114	135	135	158	410	440	600	735
H	92	125	145	145	175	200	240	240	300	184	200	200	220
H1	-	-	-	-	-	-	-	-	-	220	250	280	340
V	55	70	80	80	100	100	120	140	170	80	100	100	120
Kg	0.520	1.050	1.500	1.800	2.550	4	6.700	8.250	14.500	6.100	8.200	9.800	14

UNI 25=THREADED 34 MB UNI 45=THREADED 56 MB UNI 70=THREADED 85 MA
UNI 80=THREADED 95 MA UNI 100=THREADED 115 MA UNI 150=THREADED 165 MA