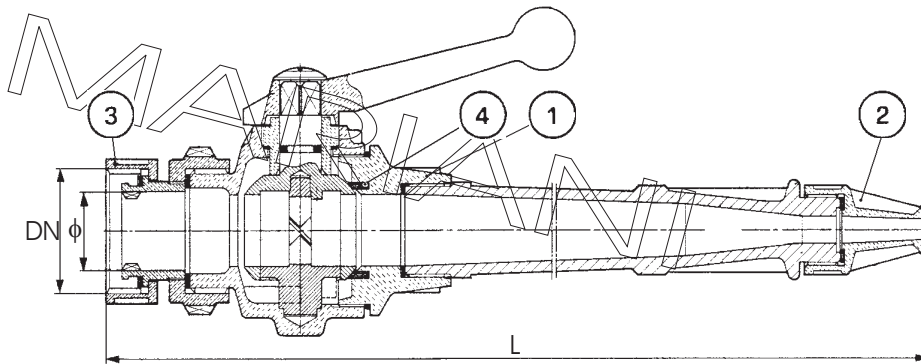


LANCIA A PIU' EFFETTI C/COMMUTAZIONE - ALLUMINIO - PN 16

585

NOZZLE IN MULTI-CASTING ALUMINIUM - 100 LBS

WORKING  
PRESSURES  
W.O.G. NON SHOCK  
225 p.s.i.



CONFORM TO: UNI 671/2-10779

	DESCRIZIONE	DESCRIPTION	MATERIAL
1	CORPO	BODY	ALUMINIUM ALLOY
2	UGELLO	NOZZLE	ALUMINIUM ALLOY
3	MANICOTTO	END PLUG	BRASS ASTM B283#
4	GUARNIZIONE	GASKET	P.T.F.E.

THREADING: UNIFICATED MA/MB

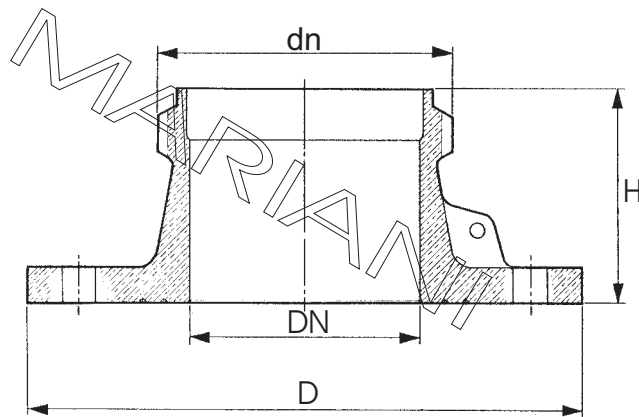
DN	UNI 25	UNI 45	UNI 70
$\phi$	7	9	16
L	260	450	500
Kg	0.370	0.550	1.350

FLANGIA UNIFICATA UNI 2869/2870 - BRONZO - PN 16

587

UNIFICATED FLANGE UNI 2869/2870 - BRONZE - 100 LBS

WORKING  
PRESSURES  
W.O.G. NON SHOCK  
225 p.s.i.



OPTIONAL FEATURES: CONFORM TO  
"MARINA MILITARE" (UMM 1079/1165)  
CONFORM TO  
"NATO" (UMM 1048/1049)

FLANGED ENDS: DIN 2501 PN 6-16

DN	UNI 2869 PN 6							UNI 2870 PN 16						
	25	40	65	80	100	125	150	25	40	65	80	100	125	150
dn	UNI 25	UNI 45	UNI 70	UNI 80	UNI 100	UNI 125	UNI 150	UNI 25	UNI 45	UNI 70	UNI 80	UNI 100	UNI 125	UNI 150
D	100	130	160	190	210	240	265	105	150	185	200	220	250	285
H	37	43	63	65	66	70	83	56	62	77	79	87	89	91
Kg	0.750	1.050	2	2.200	2.900	3.600	4.200	0.800	1.250	2.200	2.300	3	3.700	4.400

UNI 25=THREADED 34 MB UNI 45=THREADED 56 MB UNI 70=THREADED 85 MA UNI 80=THREADED 95 MA  
UNI 100=THREADED 115 MA UNI 125=THREADED 140 MA UNI 150=THREADED 165 MA