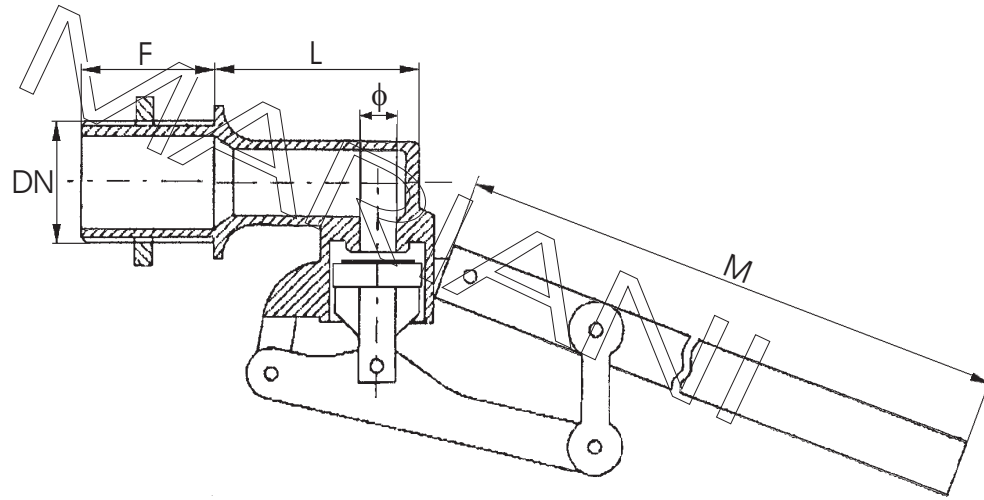


VALVOLA A GALLEGGIANTE - ASTA PIATTA - OTTONE - PN 10
FLOAT VALVE - FLAT ROD - BRASS - 75 LBS

695



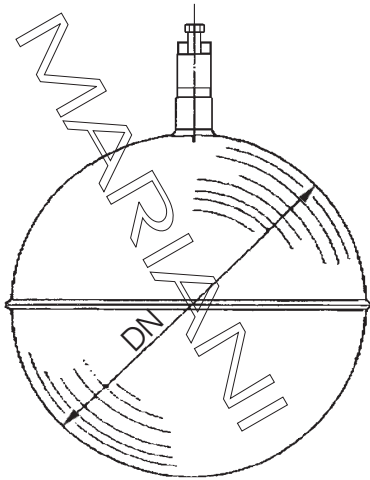
WORKING PRESSURES
W.O.G. NON SHOCK
150 p.s.i.

MATERIAL: BRASS ASTM B16

DN	3/8"	1/2"	3/4"	1"	1 1/4"	1 1/2"	2"	2 1/2"	3"	4"
φ	4.75	4.75	9	14.5	20.5	24	28	33	39	46
F	30	30	30	35	44	56	62	73	73	81
L	41	41	51	54	80	85	101	113	120	156
M	215	215	270	330	430	480	525	650	700	750
Kg	0.143	0.158	0.290	0.486	0.930	1.420	1.800	4.600	5.200	8.000

SFERA TONDA CON RACCORDO PASSANTE - RAME
ROUND BALL WITH PAWL FOR FLAT ROD - COPPER

698



DN	3/8"	1/2"	3/4"	1"	1 1/4"	1 1/2"	2"	2 1/2"	3"	4"
D	85	90	100	120	150	180	200	220	250	300