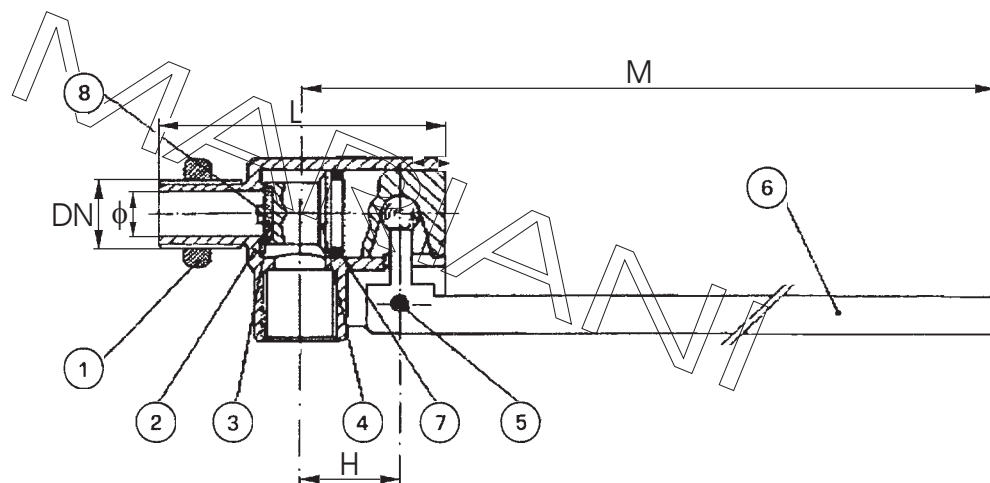


VALVOLA A GALLEGGIANTE - ASTA PIATTA - INOX - PN 10
FLOAT VALVE - FLAT ROD - STAINLESS STEEL - 75 LBS

1695



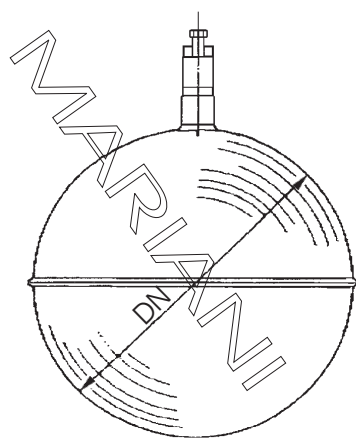
WORKING PRESSURES
W.O.G. NON SHOCK
150 p.s.i.

	DESCRIZIONE	DESCRIPTION	AISI 304	AISI 316
1	CONTRODADO	NUT	ASTM A182 F304	ASTM A182 F316
2	CORPO	BODY	ASTM A182 F304	ASTM A182 F316
3	GUARNIZIONE	GASKET	VITON	VITON
4	PISTONE	PISTON	ASTM A182 F304	ASTM A182 F316
5	ASTA	STEM	ASTM A182 F304	ASTM A182 F316
6	LEVA	LEVER	ASTM A182 F304	ASTM A182 F316
7	GUARNIZIONE	GASKET	TEFLON	TEFLON
8	VITE	SCREW	ASTM A182 F304	ASTM A182 F316

DN	3/8"	1/2"	3/4"	1"	1 1/4"	1 1/2"	2"
ϕ	11	14	17	23	30	36	47
M	405	430	440	532	520	538	575
L	80	98.5	107	127	155	170	205
H	27	32	38	42	54	60	60
Kg	0.7	1.1	1.2	2	3.4	4.4	8.4

SFERA TONDA CON RACCORDO PASSANTE - INOX
ROUND BALL WITH PAWL FOR FLAT ROD - STAINLESS STEEL

1698



BALL MATERIAL: ASTM A182 F304

	DN	3/8"	1/2"	3/4"	1"	1 1/4"	1 1/2"	2"
2 bar	D	105	120	150	220	220	240	260
	Kg	0.2	0.3	0.4	1.1	1.1	1.3	1.6
4 bar	D	120	150	220	240	240	260	300
	Kg	0.3	0.4	1.1	1.3	1.3	1.6	2